

Compact wall-mount spotlights



316 stainless steel



Matt silver wall spotlight with matching MR16AZHL silver clip-on honeycomb glare louvre



Rustic brown



Black



Natural copper with optional Rotashield



White

Compact wall spotlights are adjustable for downlighting terraces, grazing walls and accent lighting features. Available in 240v models for GU10 20w-50w halogen lamps or as MR16 versions for use with 12v 20-50w halogen lamps and a remote transformer, low energy options include 3w and 6w l.e.d. lamps; 240v models have a longer body for 7w-14w compact fluorescent spotlamps, including a dimmable 11 watt lamp, for diffuse lighting with a warm white light.

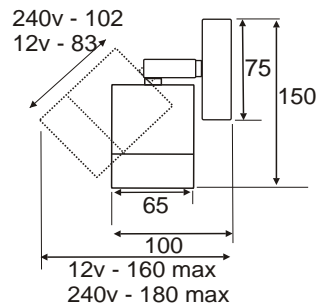
Compact wall spotlights have a flush lens and are available in 316 stainless steel, natural copper and powder-coated aluminium colours - white, black, rustic brown and matt silver. There is space inside to fit a **E4010** glare louvre or clip a MR16 spread lens, frosted lens or colour filter to a halogen lamp. The front is unscrewed for easy lamp changing without tools or to fit the optional *Rotashield* glare shield. The base fits a BESA box, has a grommeted rear cable entry & terminations and can be rotated into position. *Order lamps separately.*



Downlighting from a wall is a good way of lighting a lily pond

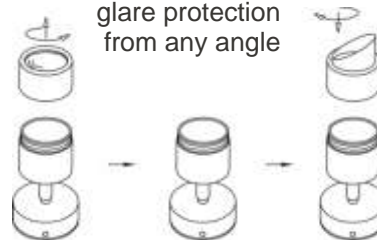


Downlighting with a 20w lamp makes a simple focal point of planted pots



Accessories	
Rotashield glare shield	
E4021	Stainless steel
E4022	Copper
E4023	Black
E4027	Rustic Brown
E4028	Matt Silver
E4010	Glare louvre

Optional *Rotashield* glare shield rotates to provide glare protection from any angle



12v	LED
240v	CFL
50w	IP66

240v GU10	Lamp choice & energy ratings
E4212 Stainless steel	A 240v L.E.D. LAMPS D 240v HALOGEN LAMPS
E4222 Copper	
E4232 Black	
E4252 White	
E4272 Rustic Brown	
E4282 Matt Silver	
12v MR16	A 12v L.E.D. LAMPS B HALOGEN Powersavers C 12v HALOGEN LAMPS
E4211 Stainless steel	
E4221 Copper	
E4231 Black	
E4271 Rustic Brown	

Compact twin wall spotlights

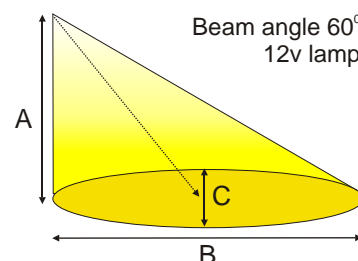


Compact twin wall-mount spotlights are adjustable to downlight terraces, graze down walls and accent light features. They are 240v models for twin GU10 halogen reflector lamps - ideal for downlighting above french windows with twin 20w lamps to provide threshold lighting or downlighting terrace areas from house walls with 2 x 35w lamps from 3 metres and 2 x 50w lamps from 5 metres above ground. **Compact** halogen wall spotlights may be dimmed with a standard dimmer switch. They accept energy saving GU10 compact fluorescent spotlamps up to 14w, including a "dimmerable" 11 watt lamp, for broad, diffuse lighting of terraces with a warm white light. 6w led lamps are a low energy option for accent lighting. **E4010** honeycomb glare louvre and clip-on colour filter, frosted or spread lens may be fitted with halogen lamps. **Compact** twin wall spotlight is available in 316 stainless steel, natural copper and black, rustic brown or matt silver powder-coated aluminium. *Order lamps separately.*

Lighting tips

Wall-mounted halogen spotlights aimed at an angle from a wall project an elliptical pool of light onto the ground, light intensity decreasing further from the wall. Keep the beam axis under 30 degrees from vertical to reduce glare. A rule of thumb when downlighting is to relate lamp wattage to mounting height to avoid being too bright. Wide flood lamps are usual for downlighting areas; narrower beams are used for accent lighting of features. Examples below are typical downlighting recommendations for a terrace from a house wall or pergola beam.

Internal glare louvres are recommended when downlighting onto seating areas, unless frosted lenses are being used to soften and diffuse the lighting at lower mounting heights. Aligning the lower edge of the lamp beam with the wall will produce a "grazing" effect to emphasise texture. For energy saving options, led lamps may be used to cast of pool of low level light onto a table from a pergola, while compact fluorescent lamps may be fitted to 240v spotlights for wide, diffuse downlighting of a terrace from the wall of a house.

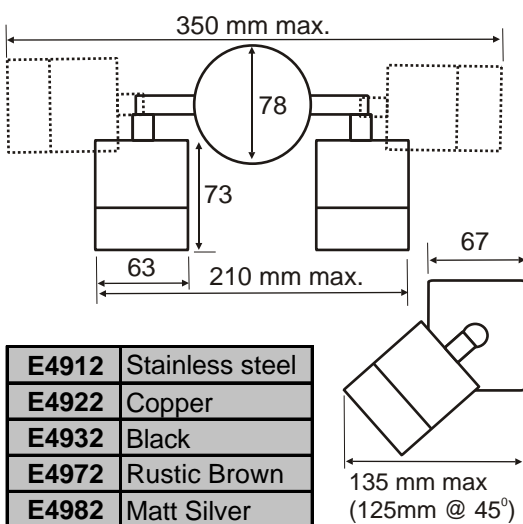


A	B	C	12v
Height above ground	Outward spread (Max)	Lateral spread (Max)	Suggested lamp wattage
2.25m	3.9m	3m	20w
3m	5.2m	4m	20-35w
4m	6.9m	5.3m	35-50w
5m	8.6m	6.6m	50w

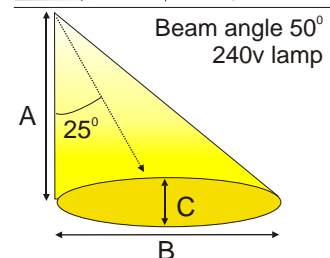


< MR16AZHL matching silver clip-on honeycomb glare louvre for halogen lamps

Matt silver



E4912	Stainless steel
E4922	Copper
E4932	Black
E4972	Rustic Brown
E4982	Matt Silver



A	B	C	240v
Height above ground	Outward spread (Max)	Lateral spread (Max)	Suggested lamp wattage
2.25m	2.6m	2.3m	20w
3m	3.5m	3.1m	35w
4m	4.7m	4.1m	35-50w
5m	6m	5.1m	50w