

Object :  
Installation :  
Project number : 0001988  
Date : 25.08.2015

## Luminaire data

### DASAR® LED SQUARE (229383)

#### Data sheet

---

Manufacturer: SLV

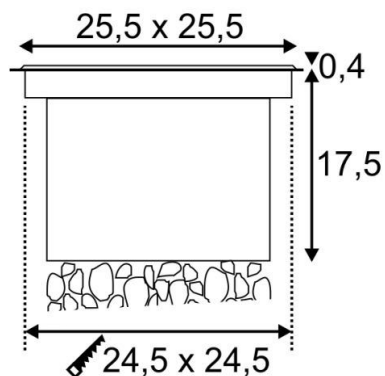
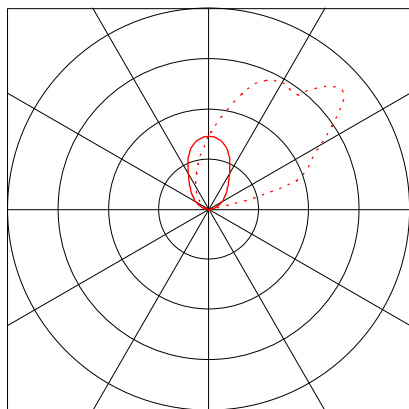
**229383 RECESSED GROUND FITTINGS LED DASAR® LED SQUARE**  
DASAR LED SQUARE inground fitting, asymmetrical, stainl. steel 316, 28W, 3000K

#### Luminaire data

Absolute Photometry :  
Luminaire efficacy : 46.37 lm/W  
Classification : E03 ↓0.0% ↑100.0%  
CIE Flux Codes : 0 0 0 0 97  
UGR 4H 8H (20%, 50%, 70%) :  
C0 / C90 : - / -  
Control gear : LED driver  
System power : 34 W  
Length : 255 mm  
Width : 255 mm

#### Equipped with

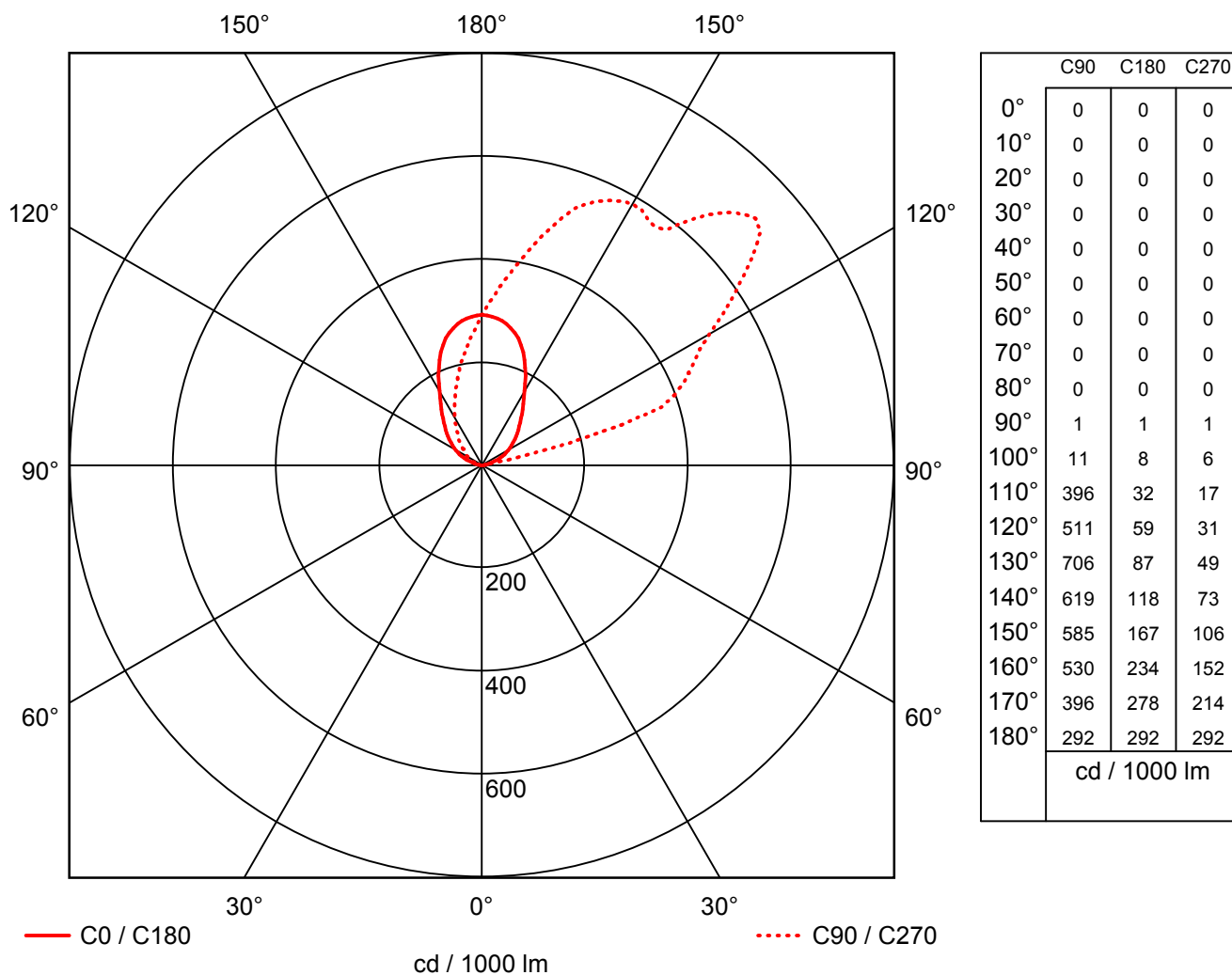
Quantity : 1  
Designation : LED  
Colour : 0  
Luminous flux : 1627 lm  
Colour reproduction : 0



Object :  
 Installation :  
 Project number : 0001988  
 Date : 25.08.2015

### DASAR® LED SQUARE (229383)

#### LDC



Order number	: 229383	Luminaire efficacy	: 46.37 lm/W (E03)
Luminaire name	: DASAR® LED SQUARE	Light distribution	: sym. to C90-C270
Equipment	: 1 x LED 34W / 1627 lm	Beam Angle	: -- C0-C180
Dimensions	: L 255 mm x W 255 mm x H 0.0 mm		-- C90
File name	: 229383_4029G04S.absolute.ltd		-- C270