

Technical Information



Design

BSEN40, PD6547: 2004+A1: 2009 (No sign)

Load class B

Deflection class 3

Head load- See Table

Finish

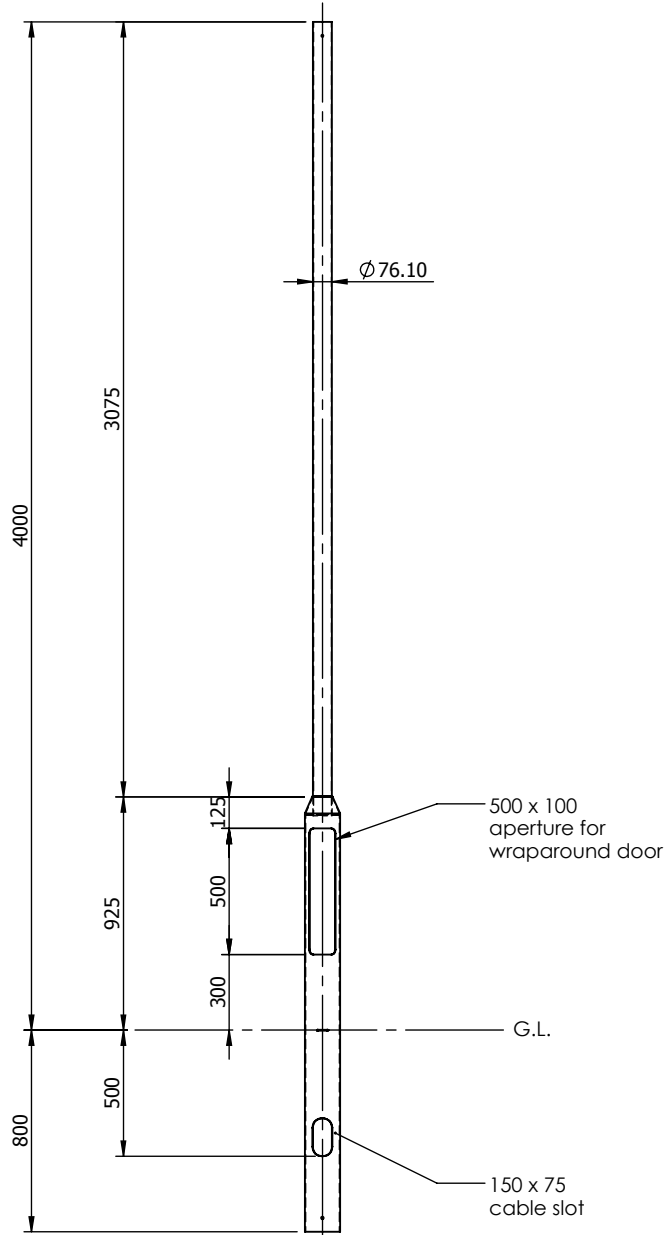
Galvanised to BSEN 1461:2009

Welding

In accordance with BSEN1011  
Procedures to BSEN ISO 15614-1:2004  
Welders qualified to BSEN 287-1:2011

\* Maximum design head load based on wind loading region with orientation of bracket/ luminaire(s) being on same plane as door

Maximum Loading including Bracket		
Wind Loading Region	Terrain Category	Weight/ Area
Extra Light	II	95kg/0.90m <sup>2</sup>
	III	100kg/1.02m <sup>2</sup>
Light	II	80kg/0.80m <sup>2</sup>
	III	90kg/0.90m <sup>2</sup>
Medium	II	70kg/0.74m <sup>2</sup>
	III	85kg/0.80m <sup>2</sup>
Heavy	II	65kg/0.68m <sup>2</sup>
	III	75kg/0.76m <sup>2</sup>
Extra Heavy	II	50kg/0.50m <sup>2</sup>
	III	60kg/0.60m <sup>2</sup>



2013 © Copyright

Revisions		
Rev.	Description	Date
1	Loading Table Added	14/11/13

Title

4metre tubular post top column

002567 002570

Drq No. 28345-1

Scale:1:30

Sheet 1 of 1

Drawn By: MJB

Chk'd: MB

Ref. 4M01A

Contract:

Customer:

Date: 20/11/2013

Exterior Lights UK Ltd  
Tel.01689 606342  
www.exteriorlights.co.uk

Notes

All dimensions in millimetres unless stated otherwise.

When Multiple views are shown 3rd Angle Projection is assumed.