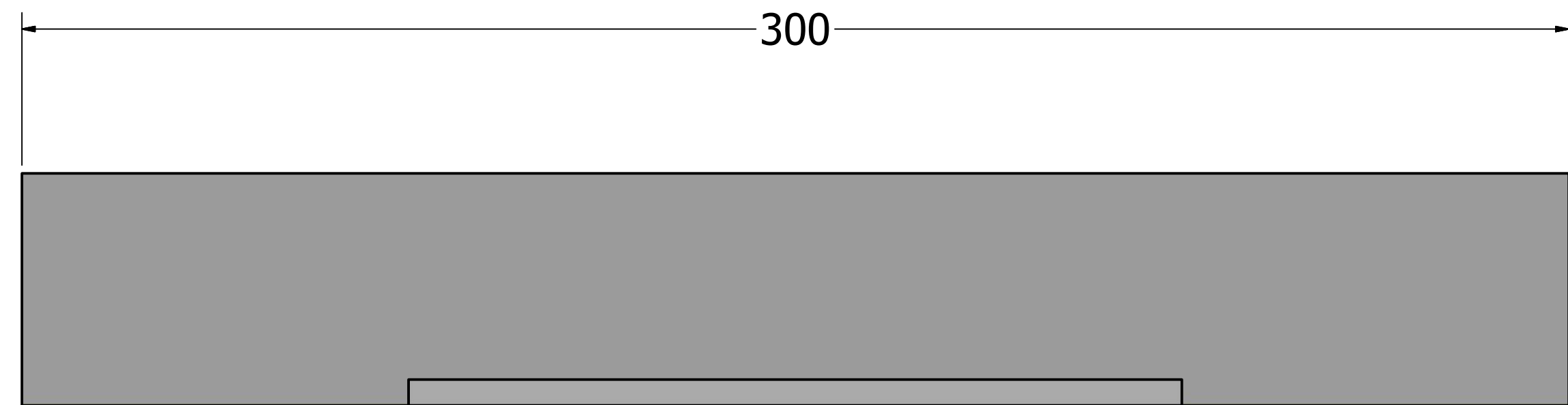
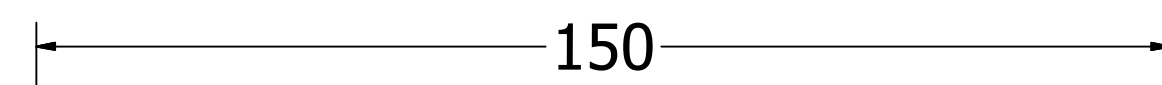


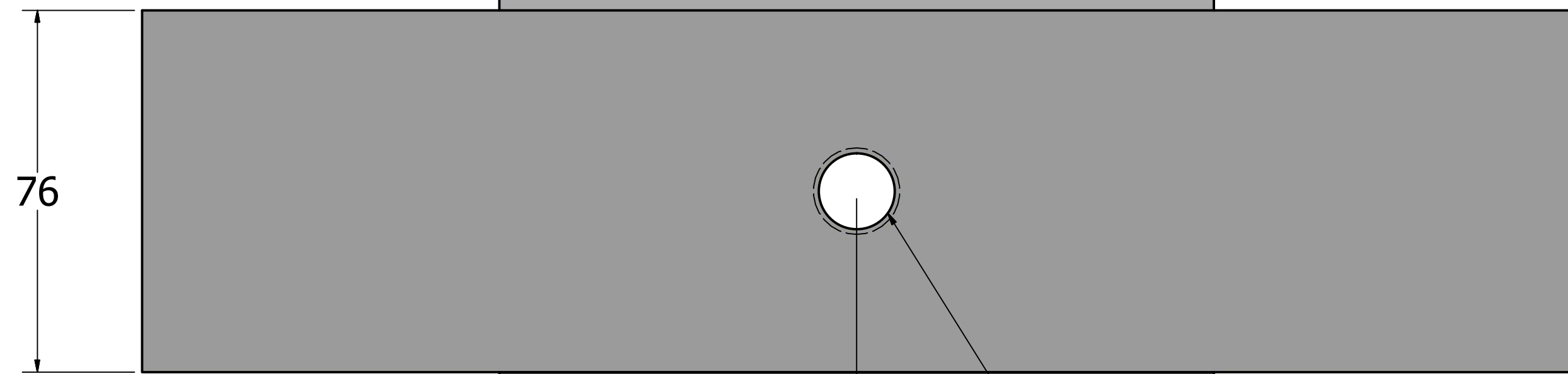
8 7 6 5 4 3 2 1



300



150



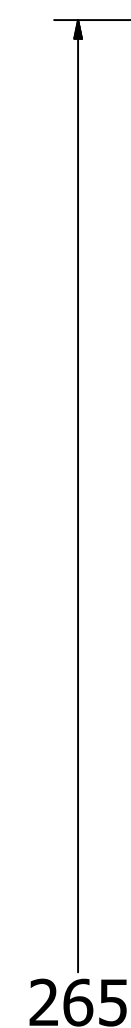
76

150



150

DRILLED AND TAPPED M12

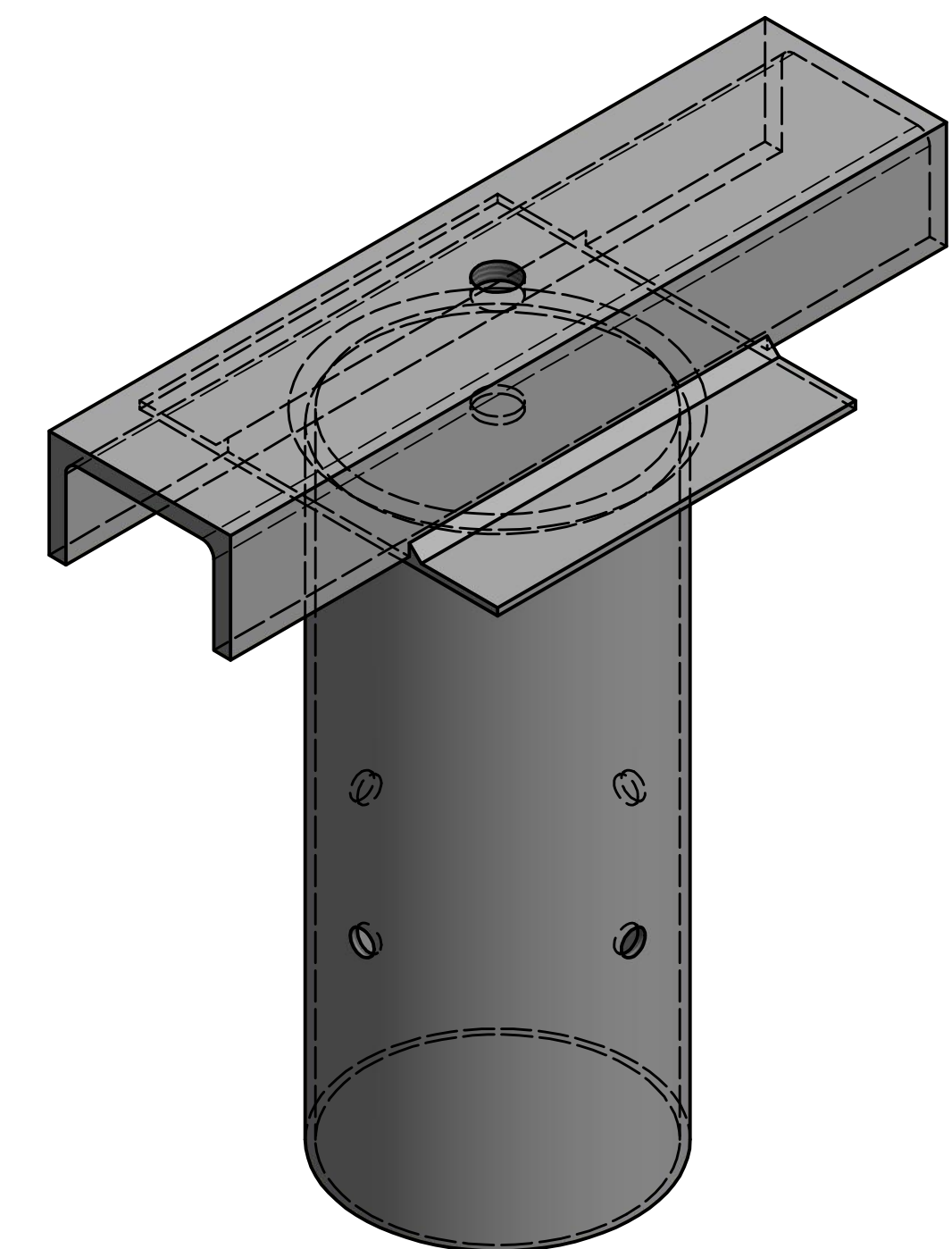


265

4 HOLES DRILLED AND TAPPED M10



TO SUIT COLUMNS WITH 114 SHAFT AND INTEGRAL REDUCER OR 100 POST TOP SPIGOTS



GENERAL NOTES:
ALL DIMENSIONS IN MILIMETERS
ALL BURRS AND SHARP EDGES TO BE REMOVED

Exterior Lights UK Ltd
TEL: 01689 606342
EMAIL: sales@exteriorlights.co.uk
WEB: www.exteriorlights.co.uk

DRAWN Neil Carter	16/06/2016	TITLE	
CHECKED		SINGLE GALVANISED FLOODLIGHT BRACKET TO SUIT 114MM COLUMN SHAFT WITH INTEGRAL REDUCER OR 100MM POST TOP SPIGOTS	
QA		SIZE	DWG NO
MFG		D	X1-114
APPROVED		SCALE	1 / 1
		SHEET 1 OF 1	

8 7 6 5 4 3 2 1