
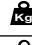
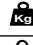
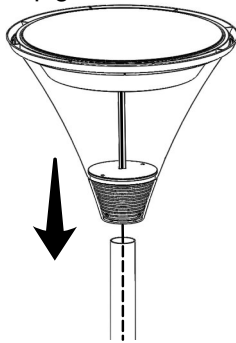
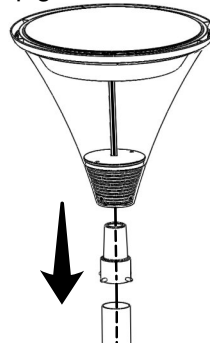


Power (W)	Standard 	Mini P-Cell 	Nema 	Windage - Surface (m ²)
80	9	9	9	0.16m ²
60	9	9	9	0.16m ²
45	9	9	9	0.16m ²
30	9	9	9	0.16m ²

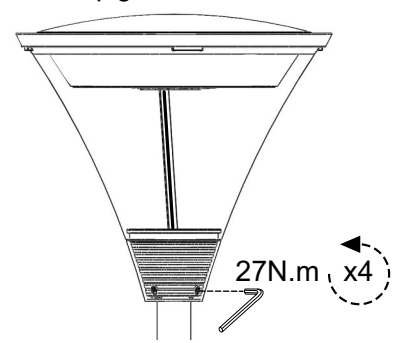
1a $\varnothing 60\text{mm}$ Spigot



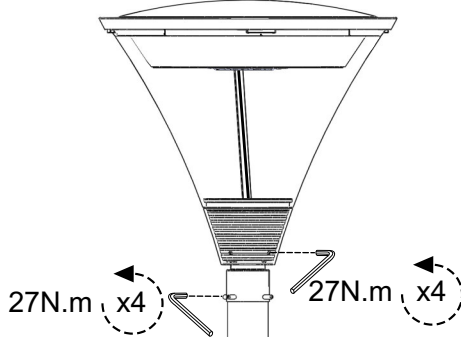
1b $\varnothing 76\text{mm}$ Spigot



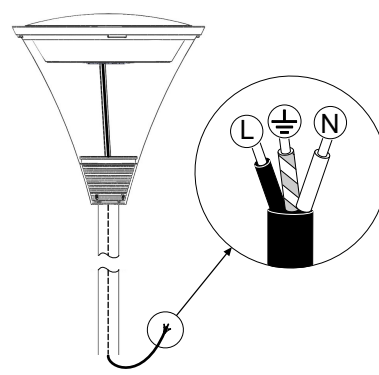
2a $\varnothing 60\text{mm}$ Spigot



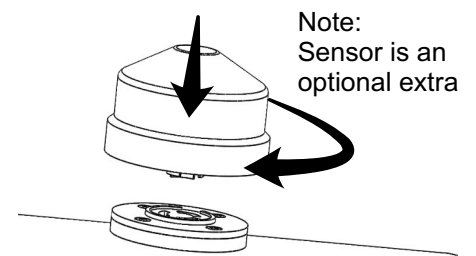
2b $\varnothing 76\text{mm}$ Spigot



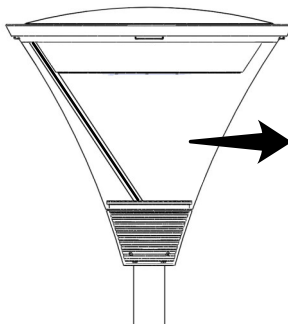
3



4 Nema Only



5 Asymmetric Beam Direction



Note:
When installed the asymmetric beam direction will be opposite to the internal cable guide tube.



Operation & Maintenance

Failed light source should be replaced promptly or the circuit switched off to avoid possible damage to control gear.

Important - Safety

Before carrying out any servicing on these luminaires, ensure that the mains supply is fully isolated.

Disconnect the luminaire before insulation testing of the installation.

Circuit Breaker Type	16A (B)	16A (C)
MP 80W Standard Luminaire	3	6
MP 60W Standard Luminaire	9	16
MP 45W Standard Luminaire	9	16
MP 30W Standard Luminaire	9	16

 $t_a -20^{\circ}\text{C} \dots 40^{\circ}\text{C}$



The light source contained in this luminaire shall only be replaced by the manufacturer or his service agent or a similar qualified person.



Example: IP junction box / terminal block. If in doubt seek advice from qualified electrician.

i1 Preparation of the ends of conductors: Wire ends striped to the length 7mm - 8mm. Add ferrules (for 1.5mm² mini wires) to the wires if they are stranded.

i2 Terminal block specified:

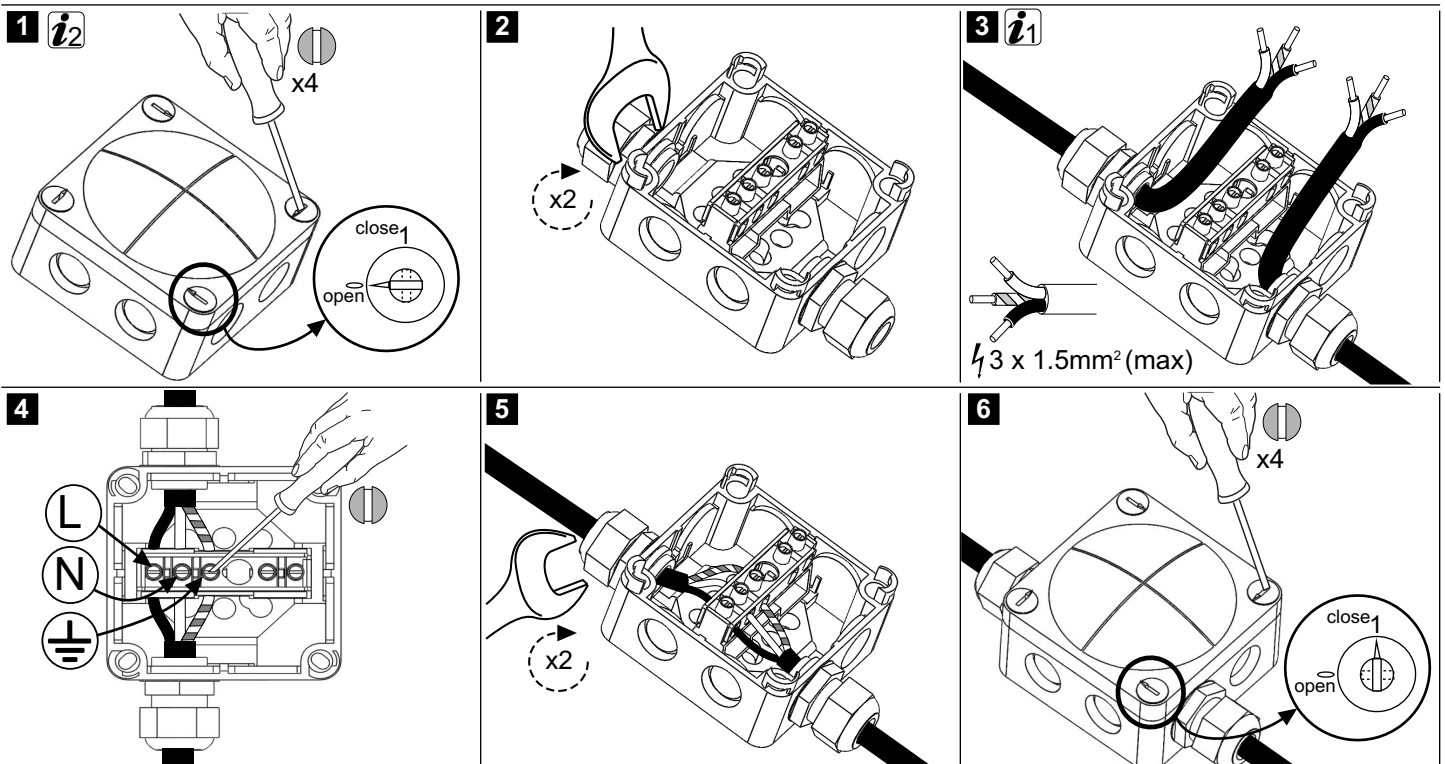
- Terminal block specified:
- The type of terminals: Screw.
- Number of terminals: 3
- Rated voltage: 450V
- Rated connecting capacity: 16A to EN60598 and 24A to EN60998



Example:

Box: WISKA COMBI 308/5/S

Cable Gland x2: WISKA ESKVM20



Example: Terminal block fused cut out. If in doubt seek advice from qualified electrician.

i1 Preparation of the ends of conductors: Wire ends striped to the length 7mm - 8mm. Add ferrules (for 1.5mm²) to the wires if they are stranded.

i3 Terminal block specified:

- Designed and tested in accordance with BS 7654:1997 and IEC/EN 60947-Part 1
- Detachable terminal block in extension trough facilitates termination of heavy duty cables
- Electroplated brass terminal blocks accept conductors up to 25mm²
- Number of terminals: 3
- The type of terminals: Screw
- Rated voltage: 230V
- Rated connecting capacity: 25A



Example:

Lucy zodion - Titan2

Single and double pole cut outs.

