



Exterior Lights UK Ltd



The Hastings 500W is an IP66 robust and durable LED Flood Light with high performance LEDs and driver.

The Hastings can be manufactured with Symmetrical or Asymmetrical optics and adjustable modules to provide maximum flexibility on each project.

A modern future proof design that can provide excellent energy savings over traditional technology.

Hastings 500W - LED Flood Light

Flood Lighting

Features

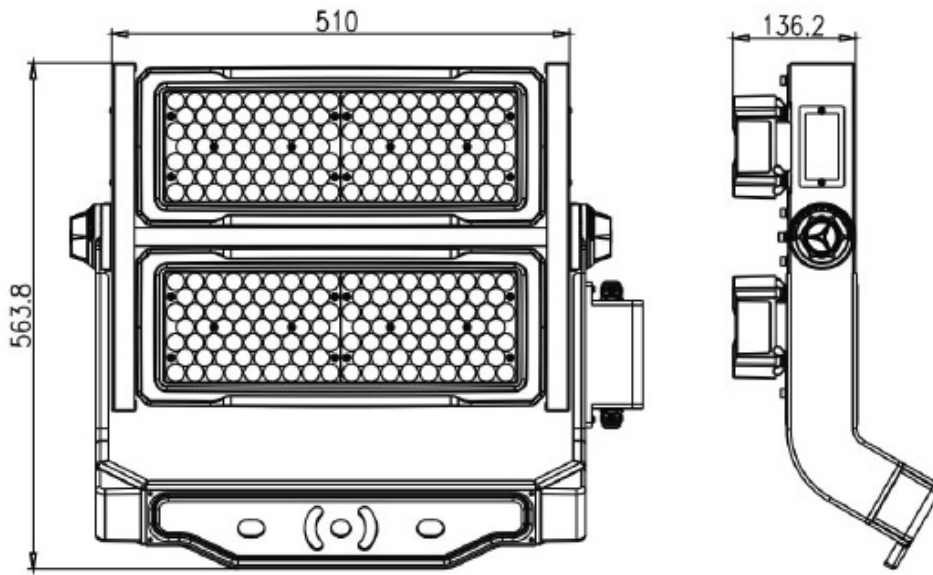
- LED rating 75,000lm
- Luminaire flux 68,250lm (symmetrical).
- Luminaire flux 64,500lm (asymmetrical).
- -20 to +40 operating temperature.
- LED life span > 50,000hrs.
- Universal bracket for T/Bar bracket and wall fixing.
- Aluminium body with stainless steels fixings.
- RAL9006 - Black.
- IP66 / IK08 Rated.
- 4mm thick toughened glass panel.
- Fixing hole for 20mm bolt for added strength.

Applications

- Security
- Perimeter Fence
- Sport
- Canopy
- Car Parks
- Facade

www.exteriorlights.co.uk

01689 606 342

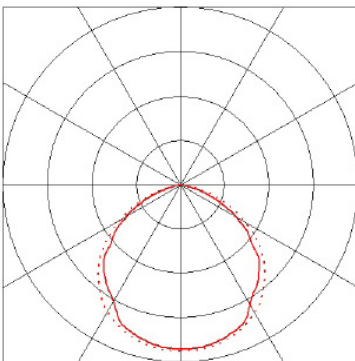


Specifications

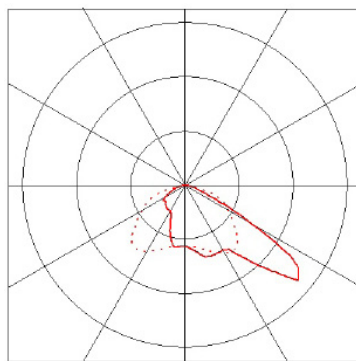
Hastings 500W

Item Number	Description	Light Source	LED Rating (lm)	Total Wattage (W)	Colour Name	CCT (K)	CRI	Voltage	Luminaire Flux (lm)	Luminaire Efficacy (lm/W)	Kg	Unit Colour
Standard												
HU500-AN-00B-1	Hastings-500W-LED-AC-4K-Std-Black-SYM-Optic 1	LED	75,000	500	NW	4K	Ra>70	110-240	68,250	137	19.5	Black
HU500-AN-00B-2	Hastings-500W-LED-AC-4K-Std-Black-A/SYM-Optic 2	LED	75,000	500	NW	4K	Ra>70	110-240	64,500	133	19.5	Black

Legend: **Std** = Standard. **4K** = Neutral White (4000K). **NW** = Neutral White. **SYM** = Symmetrical. **A/SYM** = Asymmetrical.



Optic 1: Symmetric 120° beam.



Optic 2: Asymmetrical forward-throw.