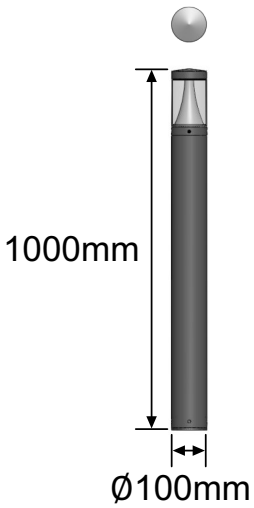
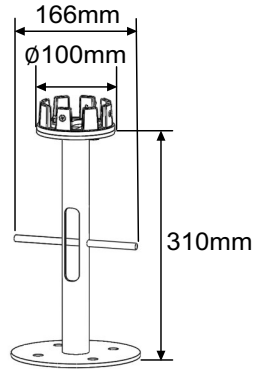


Product Range	Power (W)	Standard	Standard & P-Cell
Sandringham	4 / 5 / 6 / 10	3.5	3.75

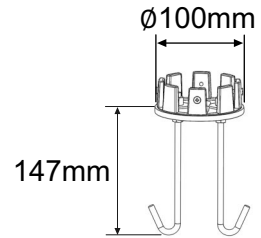


Optional mounting:

Flange Plate & Root Mount (FIX0430)



Flange Plate & Bolts (FIX0431)



1

2

3

1m Cable supplied fitted
⚡ 3x 0.75mm² (max)

4 **For Example**

Strip outer sleeve 20-23mm

Strip wire sleeve 8-10mm

⚡ 3 x 4mm² (max conductor)
Min Cable Diameter 7mm
Max Cable Diameter 12mm

5 **For Example**

N = 2
L = 3
PE = 4

⌀ x3

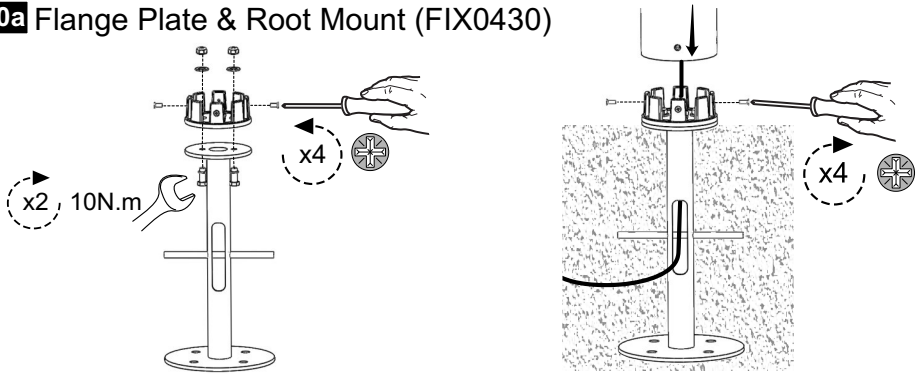
6 **For Example**

7 **For Example**

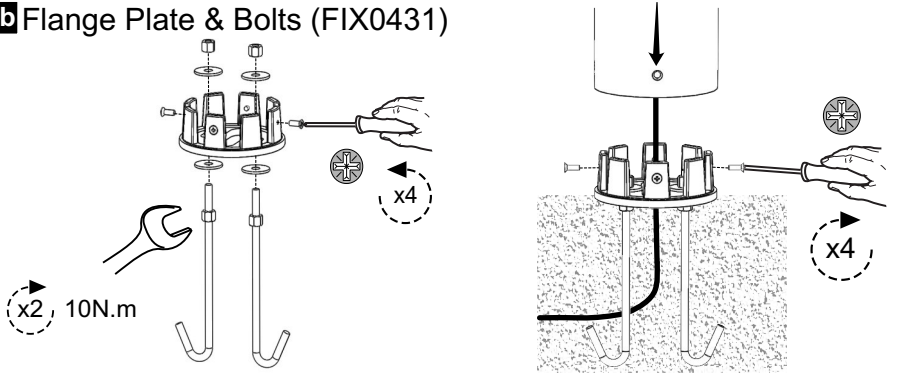
8

9

10a Flange Plate & Root Mount (FIX0430)



10b Flange Plate & Bolts (FIX0431)

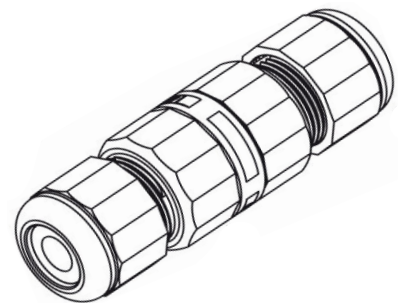


For Example: In-Line Connector: Terminal Block Not Included. Installation May Require Advice From A Qualified Person.

i1 Preparation of the ends of conductors: Wire ends striped to the length 8mm - 10mm. Add ferrules (for 0.75mm² - 4mm² wires) to the wires if they are stranded.

i2 In-line Connector Specified:

- The type of terminals: Screw - end barrier contact.
- Number of terminals: 3
- Max Current: 32A
- Rated voltage: 450V
- IP Rating: 68
- Cable Diameter: 7mm - 12mm



Example:

Gemma Lighting: TBL0044
3 way In-Line Connector.

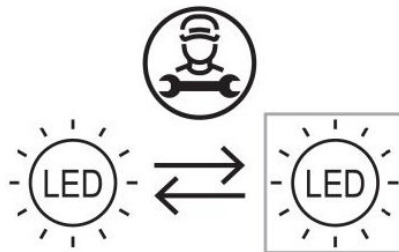


Important- Information

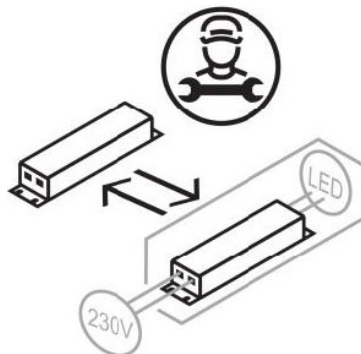


- Between The Control Conductor And Low Voltage Supply The Maintained Insulation Level Is Basic.
- Tested To BS EN 60598.
- Standard / Standard & Sensor Ta -20°C ...+40°C.
- Terminal Block Is Not Included.
- Fuse 2Amp Is Included.
- Failed Light Source Should Be Replaced Promptly Or The Circuit Switched Off To Avoid Possible Damage To Control Gear.
- The Control Gear Contained In This Luminaire Shall Only Be Replaced By The Manufacturer Or Service Agent Or A Similar Qualified Person.
- The Light Source Contained In This Luminaire Shall Only Be Replaced By The Manufacturer Or Service Agent Or A Similar Qualified Person.
- SLR Light Source: Non-User Replaceable.

Replaceable (LED Only) Light Source By A Professional



Replaceable Control Gear By A Professional



Circuit Breaker Type	10A (B)	10A (C)	16A (B)	16A (C)
Sandringham	36	62	60	100



Important - Safety



- Ensure No Cables / Wires Are Trapped During Assembly.
- Type 'Y' Supply Cord Replacement Is Intended To Be Made By The Manufacturer, Its Service Agent Or Similar Qualified Person.
- Before Carrying Out Any Servicing On These Luminaires, Ensure That The Mains Supply Is Fully Isolated.
- Disconnect The Luminaire Before Insulation Testing Of The Installation.
- Any Alterations To The Luminaire, Will Need To Be Confirmed With Gemma Lighting. If Alterations Have Been Carried Out To The Luminaire Without Confirmation The Luminaires Safety & Warranty Will Be At Risk.

