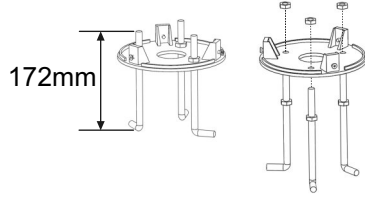
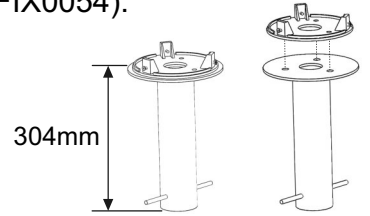


**Optional mounting**

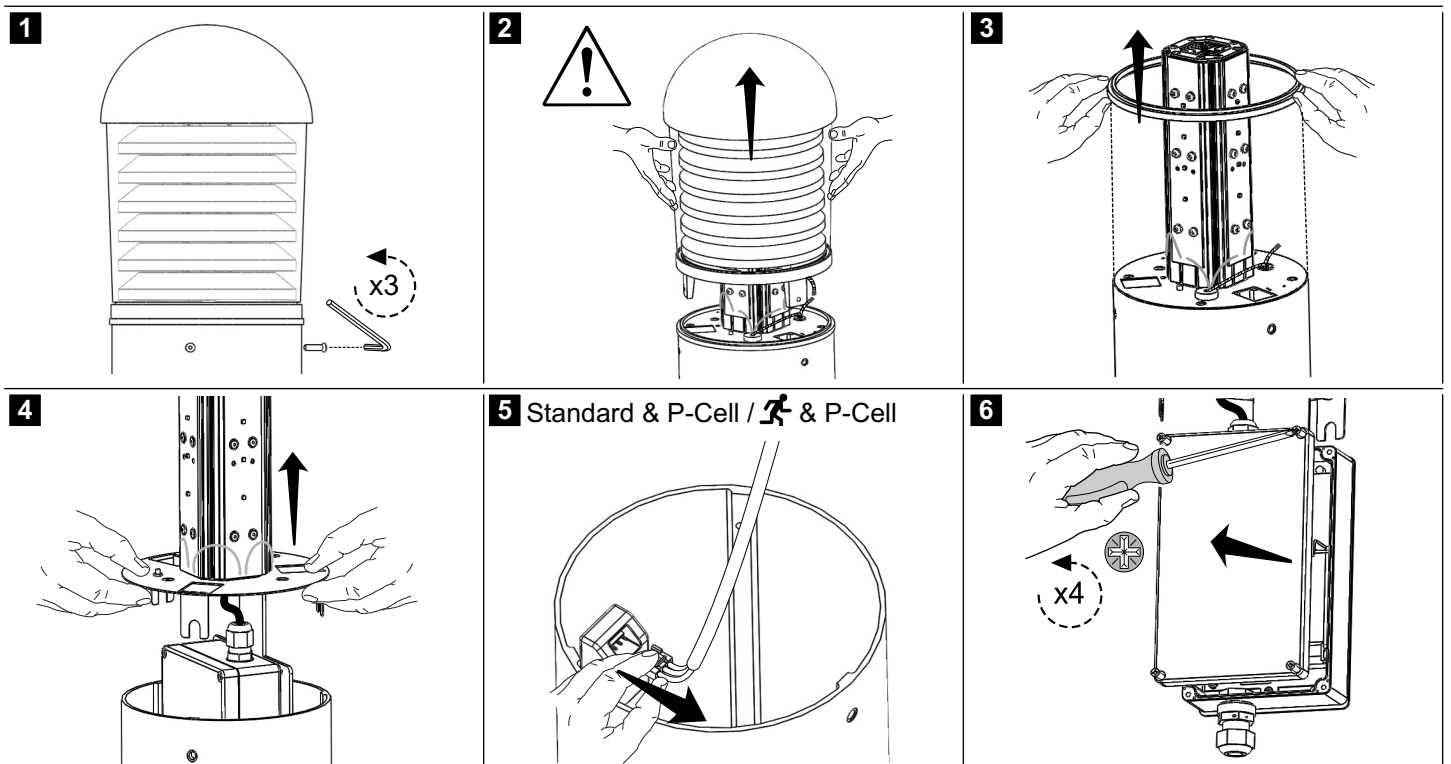
Flange Plate & Bolts (FIX0053):



Flange Plate & Root Mount (FIX0054):

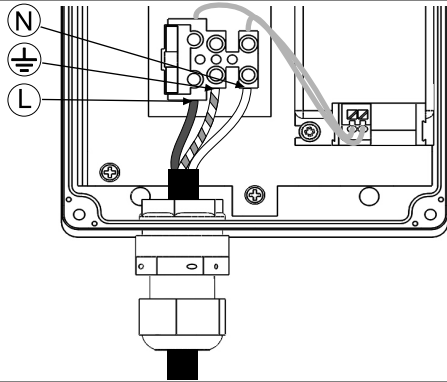
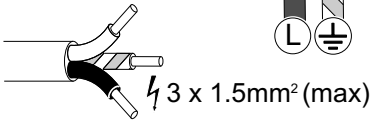


Product Range	Power (W)	Standard 	Standard & P-Cell 	Dali 	Emergency 	Emergency & P-Cell 
Orpington (AB) 	10	8.75	8.75	8.75	9	9
	20					
Chilham (HB) 	10	6.5	6.5	6.5	6.75	6.75
	20					
Small Chilham (HBS) 	10	5.25	5.25	5.25	5.5	5.5
	20					
Penshurst (NB) 	10	6.5	6.5	6.5	6.75	6.75
	20					
Small Penshurst (NBS) 	10	5.25	5.25	5.25	5.5	5.5
	20					



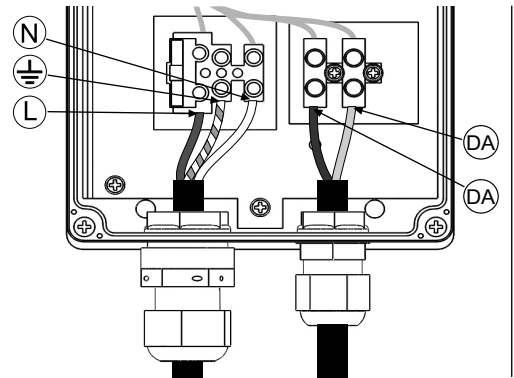
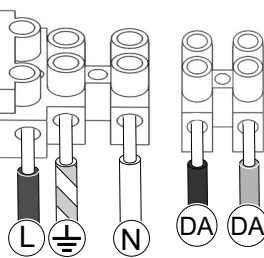
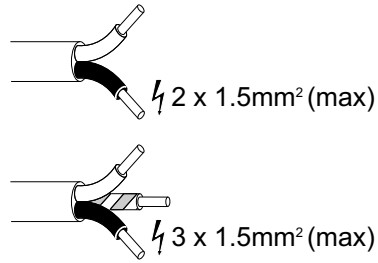
**7a** Standard / Standard & P-Cell

10W = 1A  
or  
20W = 2A



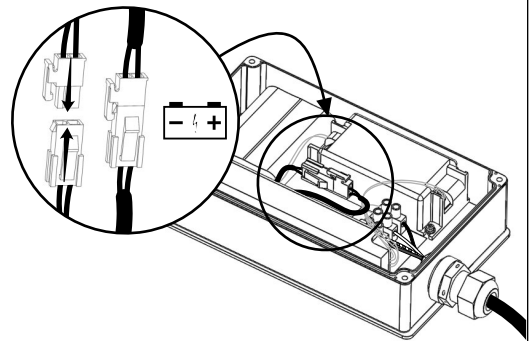
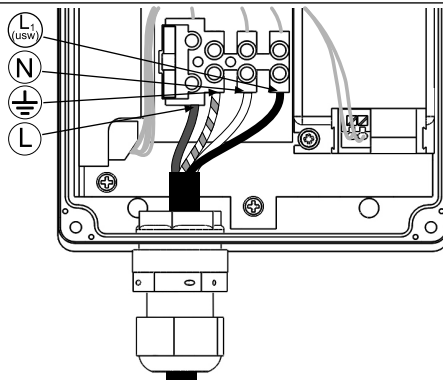
**7b** Dali

10W = 1A  
or  
20W = 2A

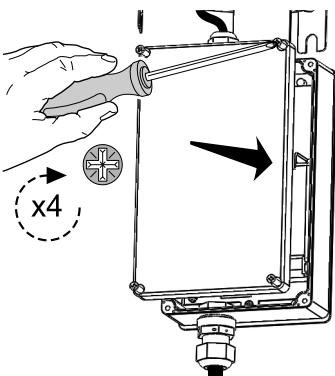


**7c** ⚡ / ⚡ & P-Cell

10W = 1A  
or  
20W = 2A

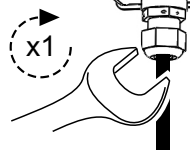


**8**



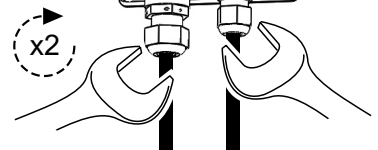
**9a** Standard / Standard & P-Cell / ⚡ / ⚡ & P-Cell

x1

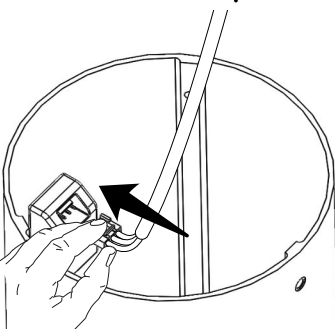


**9b** Dali

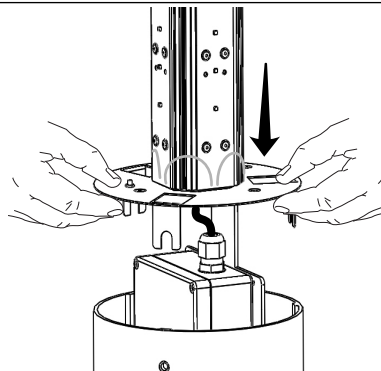
x2



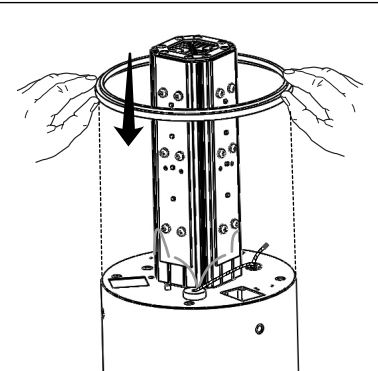
**10** Standard & P-Cell / ⚡ & P-Cell

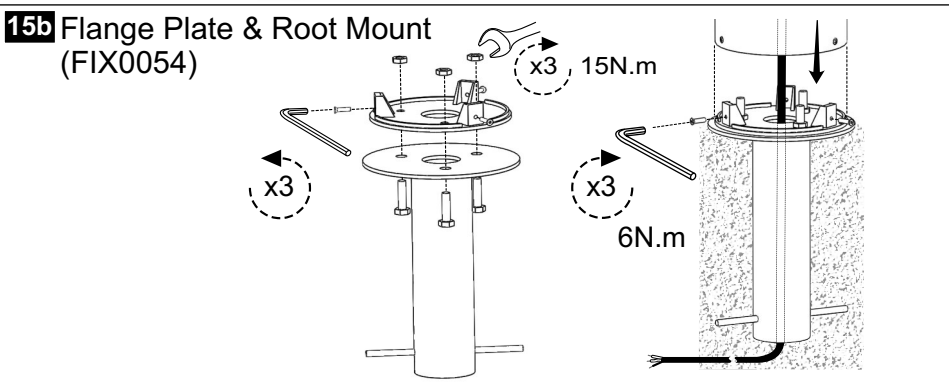
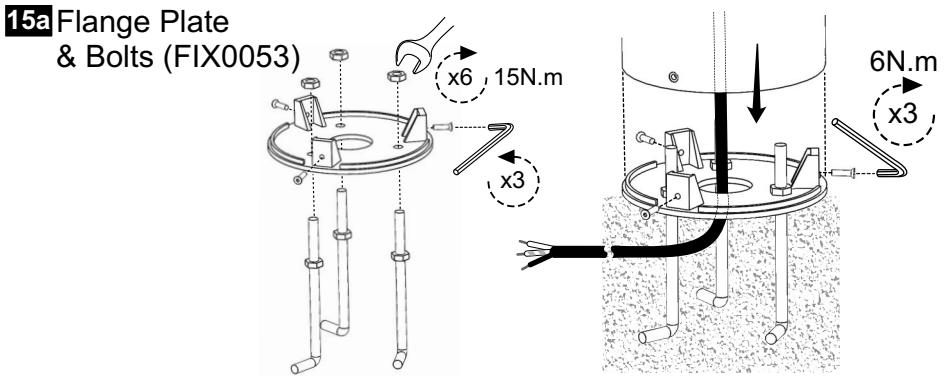
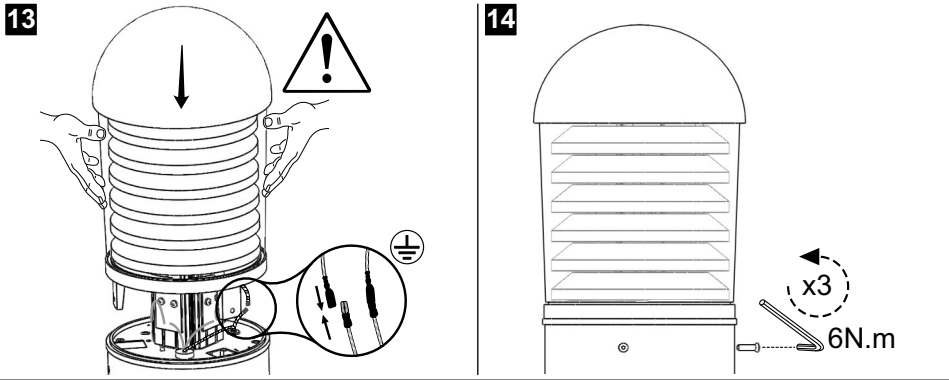


**11**



**12**





- Ensure no cables / wires are trapped during bollard assembly.
- Care must be taken when removing / fitting bollard head to prevent LED damage.
- Any alterations to the luminaire, will need to be confirmed with Gemma Lighting. If alterations have been carried out to the luminaire without confirmation the luminaires safety & warranty will be at risk.



**Operation & Maintenance**

Failed light source should be replaced promptly or the circuit switched off to avoid possible damage to control gear.

**Important - Safety**

Before carrying out any servicing on these luminaires, ensure that the mains supply is fully isolated.

Disconnect the luminaire before insulation testing of the installation.

Circuit Breaker Type	10A(B)	16A(B)	25A(B)
Standard / ⚡ Luminaire	19	30	42
Dali Luminaire	50	80	-

Tested to BS EN 60598

For All Standard / Dali: ta -20°C ... 25°C

For All ⚡ : ta 0°C ... 25°C

Between the control conductor and low voltage supply the maintained insulation level is basic.

The light source contained in this luminaire shall only be replaced by the manufacturer or a service agent or a similar qualified person.

