

Product Range	Power (W)	Standard	Dali	Emergency
Pembury	10	8.5	8.7	9
	20			

1

2

3a Standard

3b Standard

4a Dali

4b Dali

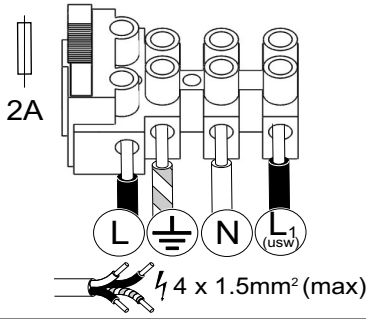
5a Standard / Dali

5b Standard / Dali

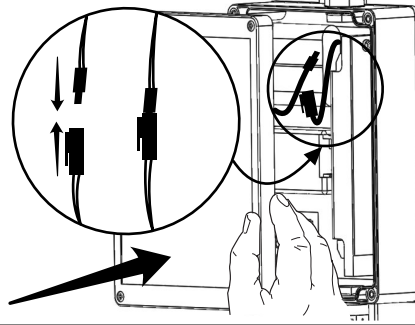
6a Emergency

6b Emergency

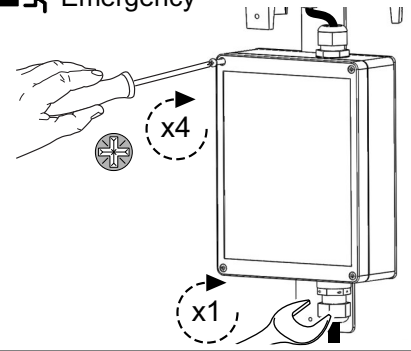
6c Emergency



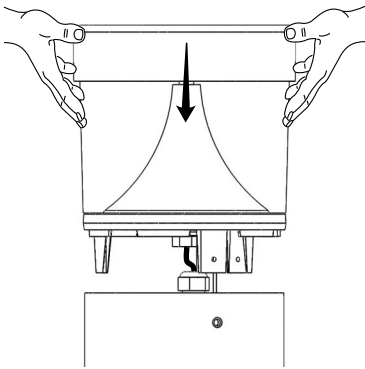
6d Emergency



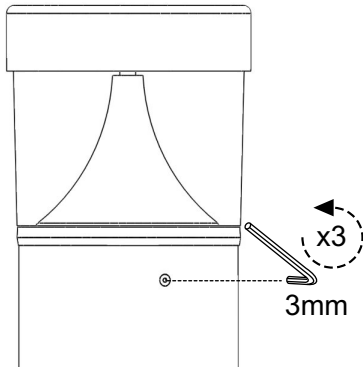
6e Emergency



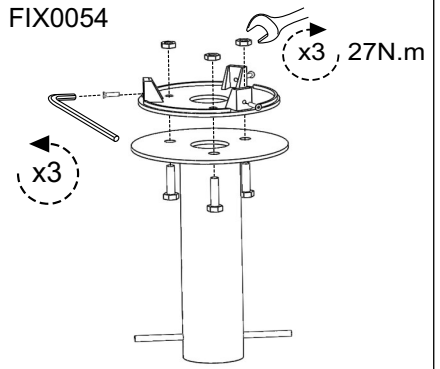
7



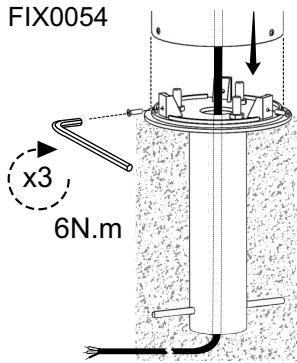
8



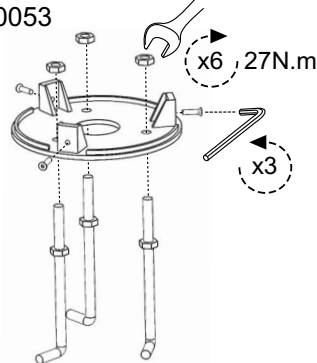
9a FIX0054



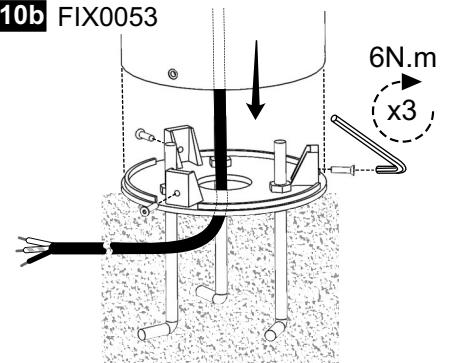
9b FIX0054



10a FIX0053

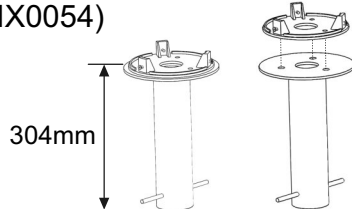


10b FIX0053

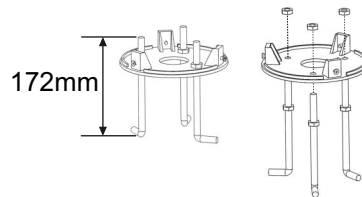


Optional mounting

Root Mounting (Standard)
Flange Plate + Root Mount
(FIX0054)



Flange Plate + Bolts (FIX0053)



Operation & Maintenance

Failed light source should be replaced promptly or the circuit switched off to avoid possible damage to control gear.

Important - Safety

Before carrying out any servicing on these luminaires, ensure that the mains supply is fully isolated.

Disconnect the luminaire before insulation testing of the installation.

Circuit Breaker Type	B10	B16
Standard / ⚡ 10W Luminaire	60	100
Standard / ⚡ 20W Luminaire	30	50
Dali 10W Luminaire	90	160
Dali 20W Luminaire	45	80



The light source contained in this luminaire shall only be replaced by the manufacturer or his service agent or a similar qualified person.



FM57330