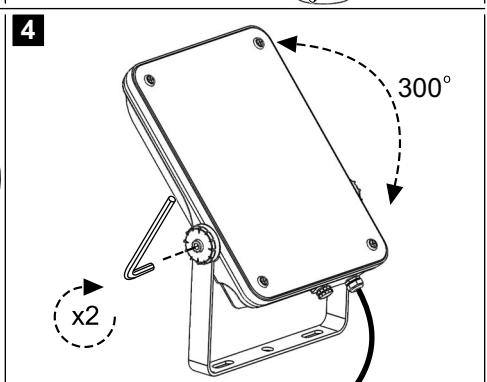
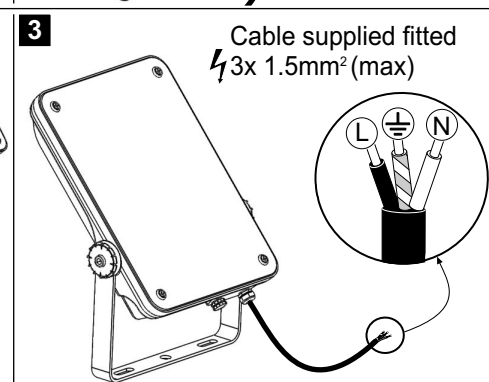
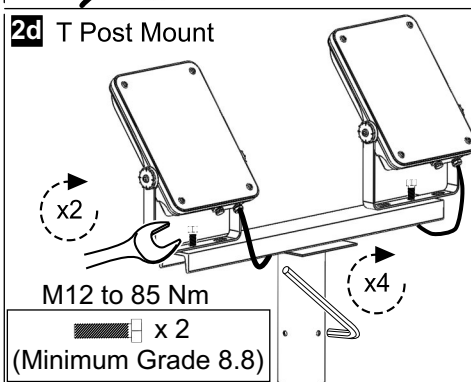
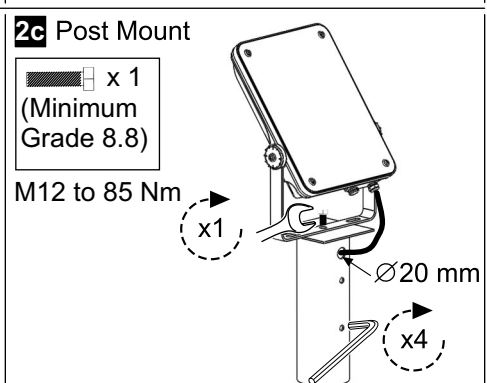
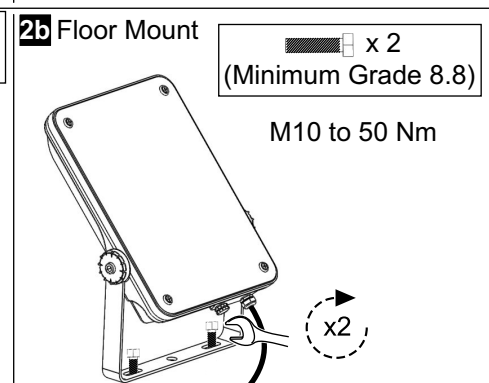
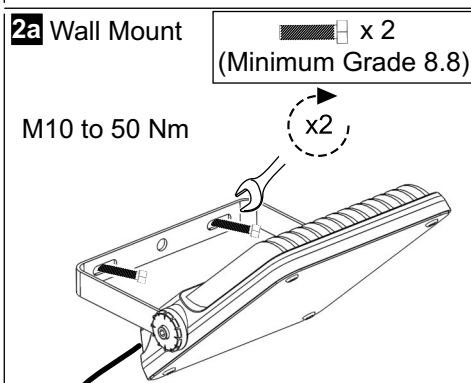
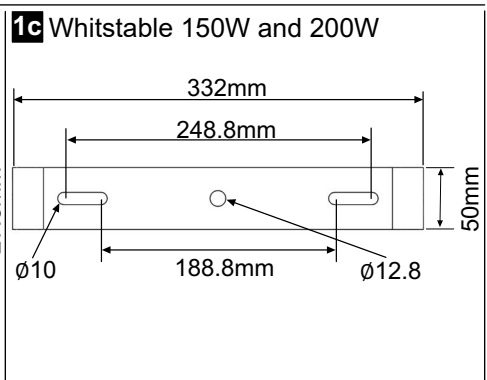
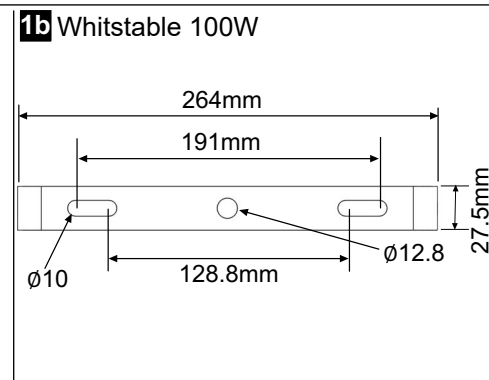
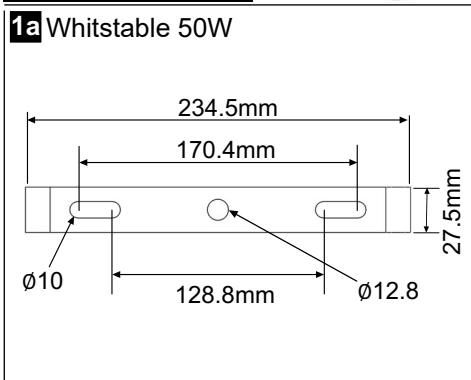
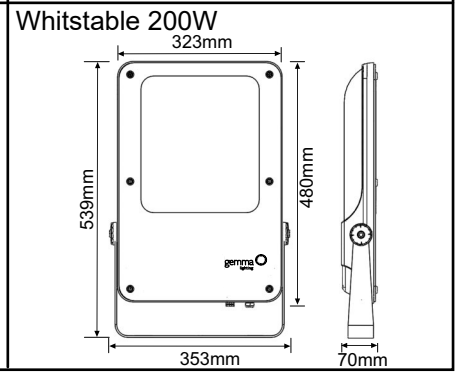
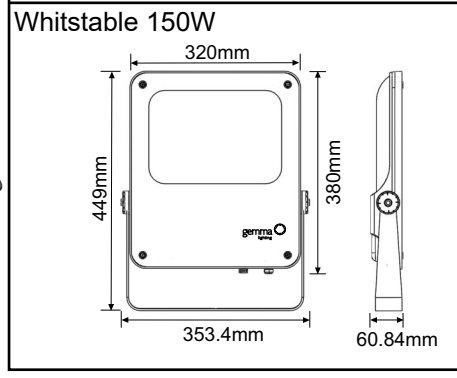
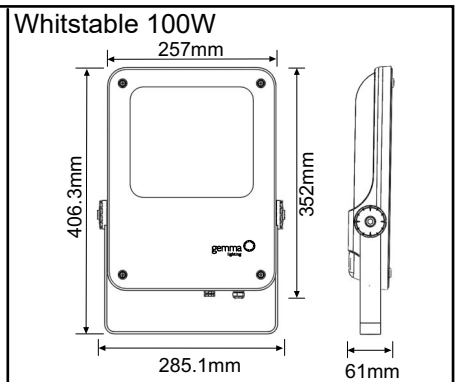
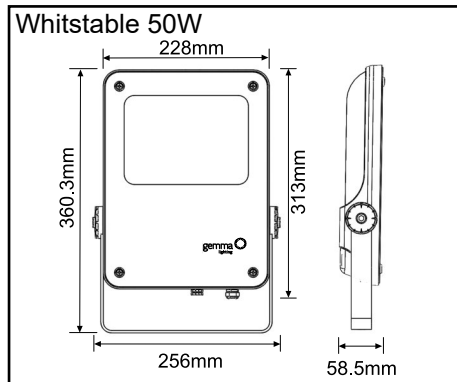


Whitstable (50W - 200W)

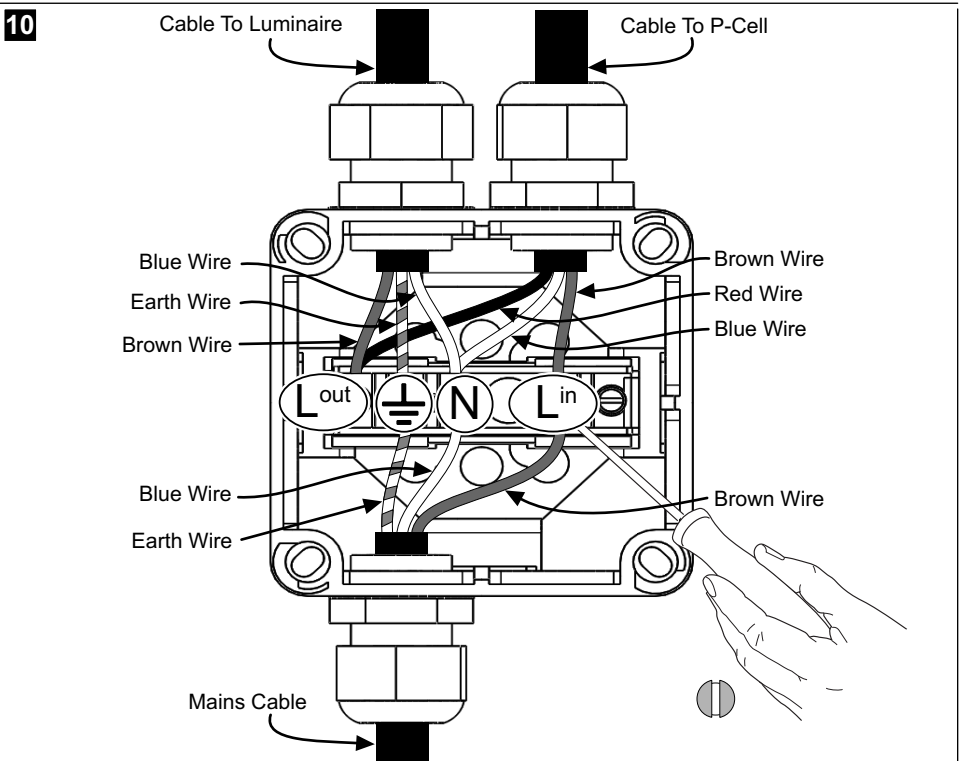
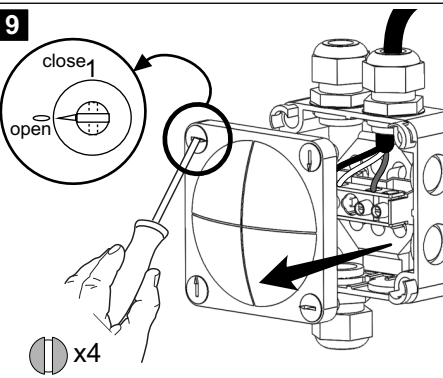
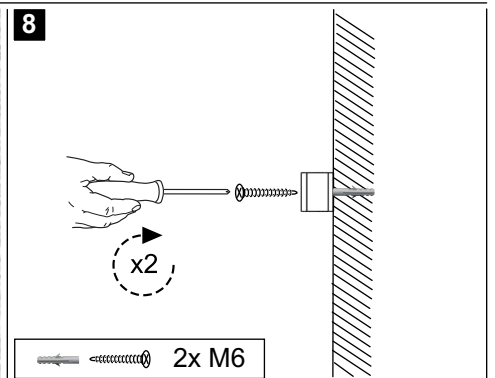
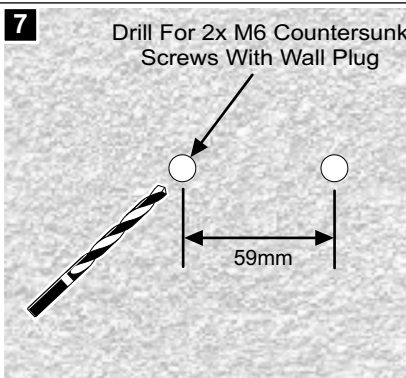
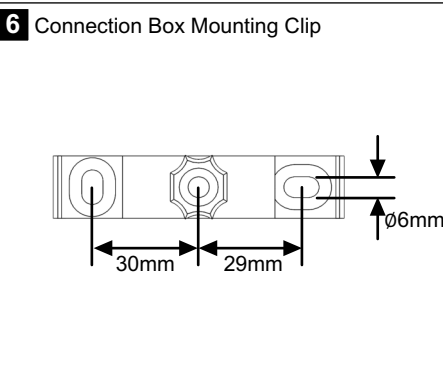
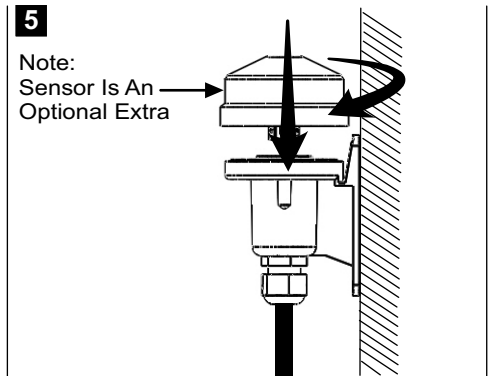
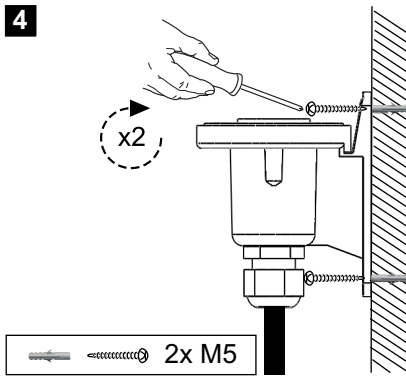
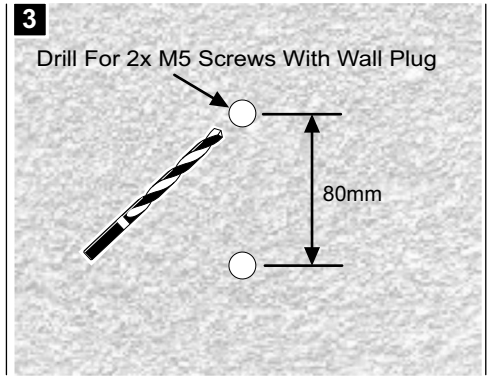
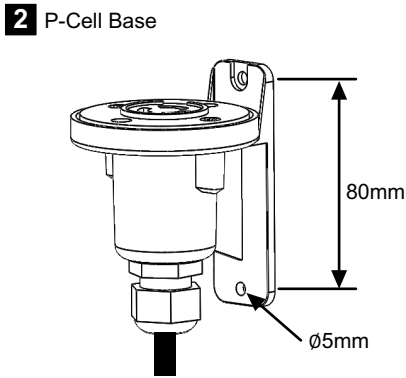
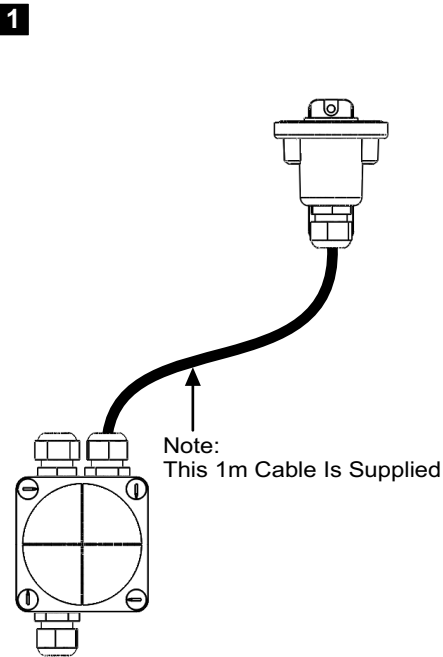
⚡ 220-240V ~ 50/60Hz

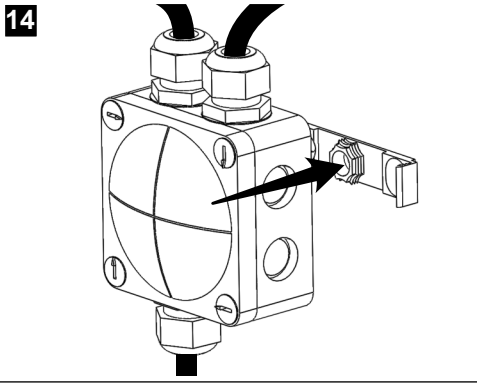
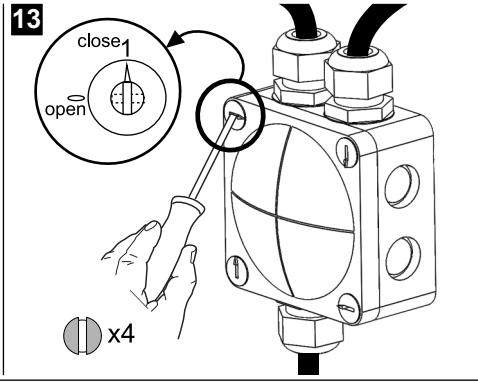
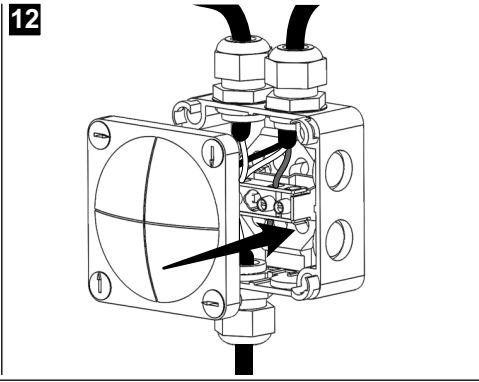
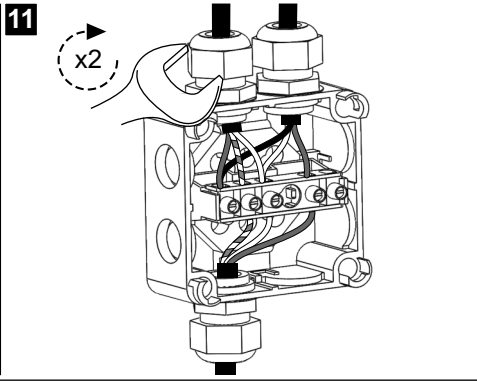
SELV 60 IP65 IK08 (Glass Only)

Power (w)	Standard	Standard & Nema	Windage - Surface (m ²)
50	3.5	4.0	0.071364
100	4.0	4.5	0.090464
150	8.0	8.5	0.12416
200	9.0	9.5	0.15504



Remote Junction Box For P-Cell





Example: IP junction box / terminal block. If in doubt seek advice from qualified electrician.

i1 Preparation of the ends of conductors: Wire ends striped to the length 7mm - 8mm. Add ferrules (for 1.5mm² mini wires) to the wires if they are stranded.

i2 Terminal block specified:

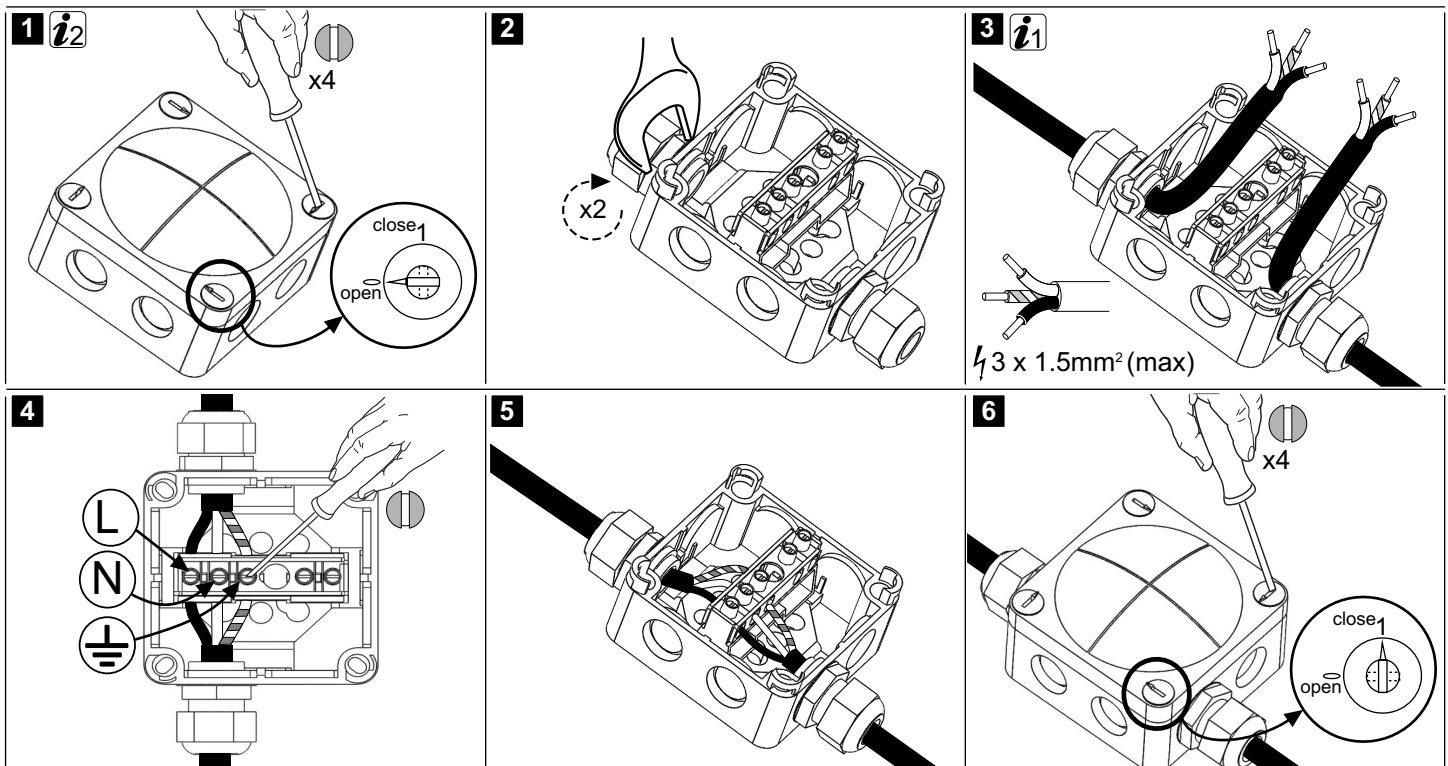
- Terminal block specified:
- The type of terminals: Screw.
- Number of terminals: 3
- Rated voltage: 450V
- Rated connecting capacity: 16A to EN60598 and 24A to EN60998



Example:

Box: WISKA COMBI 308/5/S

Cable Gland x2: WISKA ESKVM20



Example: Terminal block fused cut out. If in doubt seek advice from qualified electrician.

i1 Preparation of the ends of conductors: Wire ends striped to the length 7mm - 8mm. Add ferrules (for 1.5mm²) to the wires if they are stranded.

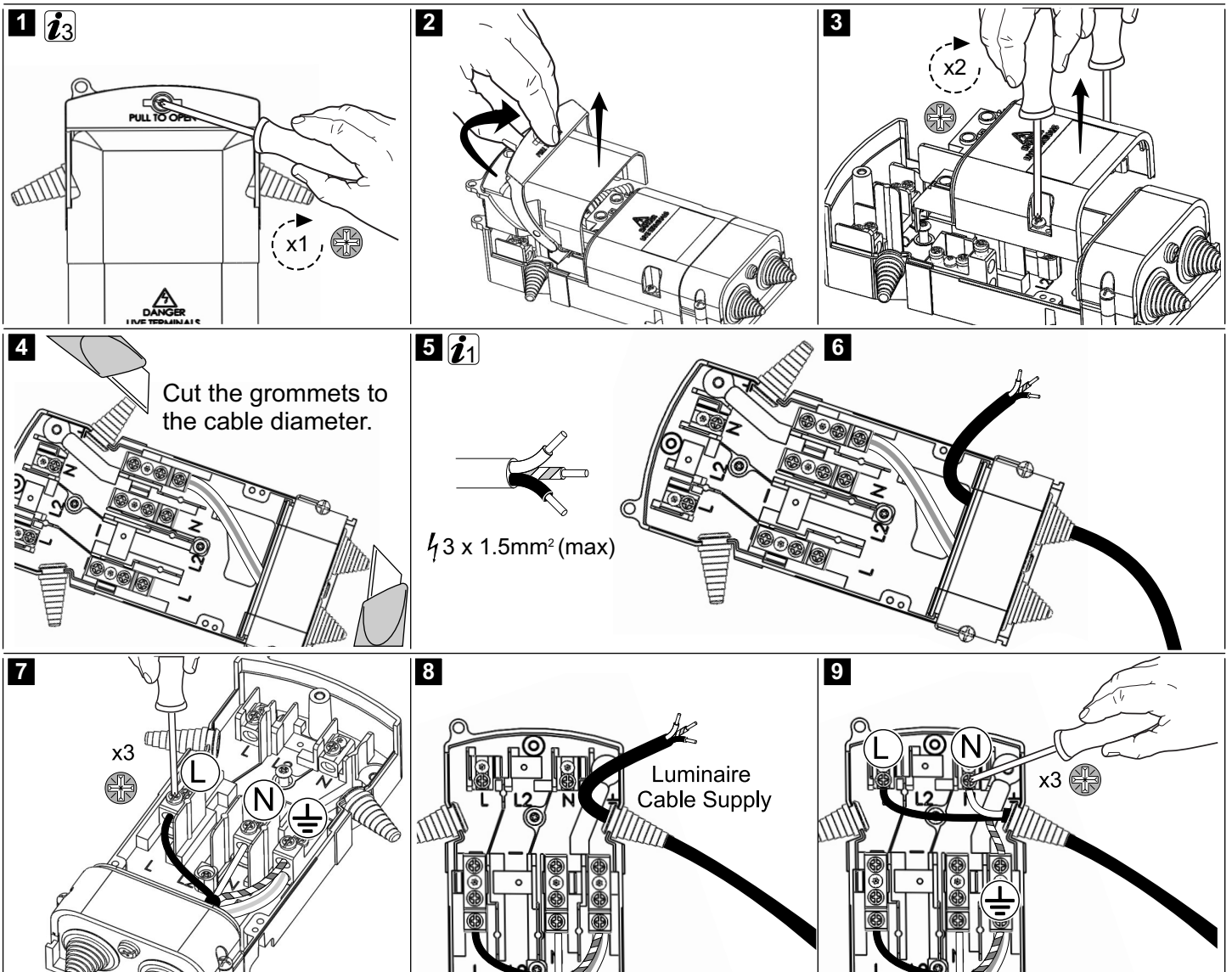
i3 Terminal block specified:

- Designed and tested in accordance with BS 7654:1997 and IEC/EN 60947-Part 1
- Detachable terminal block in extension trough facilitates termination of heavy duty cables
- Electroplated brass terminal blocks accept conductors up to 25mm²
- Number of terminals: 3
- The type of terminals: Screw
- Rated voltage: 230V
- Rated connecting capacity: 25A



Example:

FHD-0005 inle and double pole cut outs.





Important - Safety



- Between The Control Conductor And Low Voltage Supply The Maintained Insulation Level Is Basic.
- Tested To BS EN 60598-2-5.
- Ta -20°C ... 25°C
- Failed Light Source Should Be Replaced Promptly Or The Circuit Switched Off To Avoid Possible Damage To Control Gear.
- The Light Source Contained In This Luminaire Shall Only Be Replaced By The Manufacturer Or Service Agent Or A Similar Qualified Person.
- Terminal Block Not Included. Installation May Require Advice From A Qualified Person.

Circuit Breaker Type	16A (B)	16A (B)
Drayton 50W	3	6
Drayton 100W	4	8
Drayton 150W	8	14
Drayton 200W	5	8



- Ensure No Cables / Wires Are Trapped During Assembly.
- Type 'Y' Supply Cord Replacement Is Intended To Be Made By The Manufacturer, Its Service Agent Or Similar Qualified Person.
- Before Carrying Out Any Servicing On These Luminaires, Ensure That The Mains Supply Is Fully Isolated.
- Disconnect The Luminaire Before Insulation Testing Of The Installation
- Any Alterations To The Luminaire, Will Need To Be Confirmed With Gemma Lighting. If Alterations Have Been Carried Out To The Luminaire Without Confirmation The Luminaires Safety & Warranty Will Be At Risk.

