

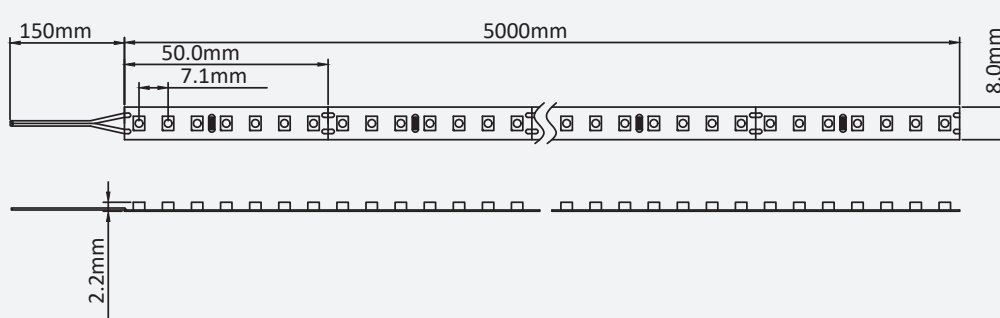
## 9.6 W/m

Single colour LED strip 3528 chip

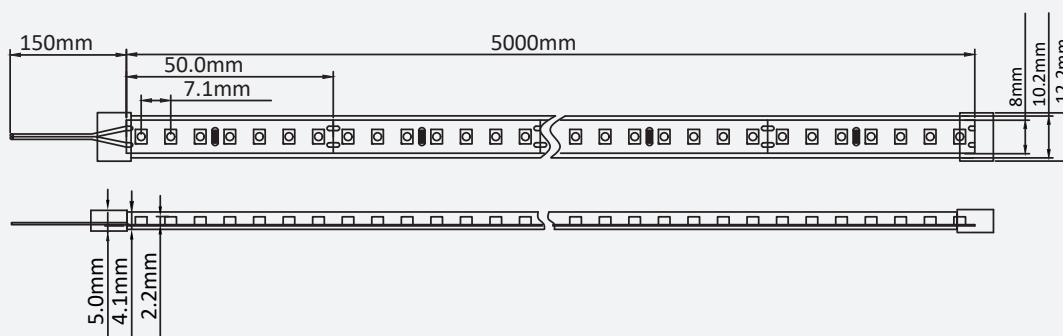


### LST-3

Technical drawing



### IP20



### IP65

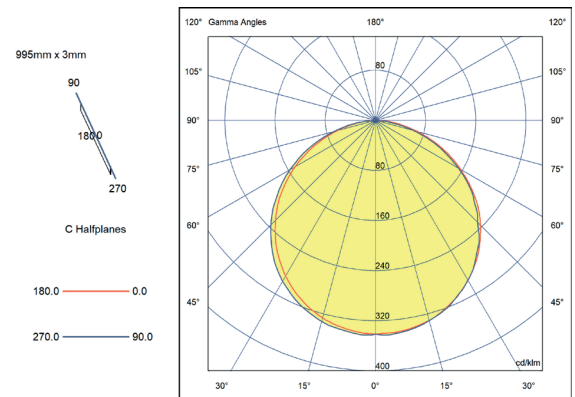
## 9.6 W/m

### Single colour LED strip 3528 chip

#### Technical specification

Max Wattage	9.6 W/m
LED Chip	SMD 3528
LEDs per meter	140LEDs
Construction	PCB
IP rating	IP20/IP65
Fixture	Self Adhesive (300MP)
Voltage	24V
Dimension	5m
Cut	Every 50mm
Colour Rendering Index	Ra > 90
Beam Angle	120°
Energy Efficiency Rating	A+
Estimated Life	50.000 hours
Operating temperature	-20~+45°C
Maximum run length	15m

#### Polar diagram



#### Note

For compatibility of LED strip with aluminium profile, please refer to the compatibility chart in our catalogue or on our website:  
[www.intalite.co.uk/compatibilitychart](http://www.intalite.co.uk/compatibilitychart)

For power consumption of LED strip and choosing appropriate driver, please refer to power consumption chart in our catalogue or on our website:  
[www.intalite.co.uk/powerconsumptionchart](http://www.intalite.co.uk/powerconsumptionchart)

#### Product codes

Product Code	IP Rating	CCT	Lumens/m	Lumens/W
LST-3WW27K	IP20	2700K	787 lm	82 lm/W
LST-3WW30K	IP20	3000K	816 lm	85 lm/W
LST-3CW	IP20	4000K	960 lm	92 lm/W
LST-3DL	IP20	6500K	883 lm	92 lm/W
LST-3B	IP20	Blue	187 lm*	19 lm/W
LST-3IPWW27K	IP65	2700K	750 lm	78 lm/W
LST-3IPWW30K	IP65	3000K	795 lm	82 lm/W
LST-3IPCW	IP65	4000K	809 lm	84 lm/W
LST-3IPDL	IP65	6500K	820 lm	85 lm/W
LST-3IPB	IP65	Blue	170 lm*	17 lm/W

#### Guarantee:

All LED and electrical components carry a 5 year electrical guarantee, All lamps have their own average life span. We recommend all products are installed by NICEIC / registered electrical contractors, failure to do so will result in any guarantee becoming void.

#### Full Terms & Conditions:

For our full terms and conditions please visit our website - [www.intalite.co.uk/terms-conditions](http://www.intalite.co.uk/terms-conditions)

INTALITE UK  
 148 - 154 Merton High Street;  
 London, SW19 1AZ, UK  
 Tel: +44 (0)20 8542 1471  
 Fax: 0870 4211 763  
[www.intalite.co.uk](http://www.intalite.co.uk)  
[sales@intalite.co.uk](mailto:sales@intalite.co.uk)