

200W DALI Dimmable LED Driver

Constant Voltage IP66 24VDC

INTALED

LDDA-IP200/24



Technical Specification

Order Code		LDDA-IP200/24	
Output	Rated Power	200W	
	Rated Current	8.33A	
	Output Voltage	24V DC	
	Voltage Tolerance	±0.5V	
	Voltage Regulation	±0.5%	
	Load Regulation	±2%	
	Input	Voltage Range	100~265VAC
Frequency Range		47~63Hz	
Efficiency (Typ)		88.4% at 230V AC (Full loading)	
Power Factor (Typ)		0.97 at 230V AC (Full loading)	
THD (Typ)		<20% at 230 V AC (Full loading)	
AC Current (Max)		2.3A	
Inrush Current (Typ)		56A at 230V AC	
Leakage current		<0.5mA	
Protection		Overload	≤ 120%
		Short circuit	Recovers automatically after condition is removed
	Over temperature	100°C ±10°C Recovers automatically after cooling	
	Protection Class	I	
Environment	Working Temp	-40~+60°C (refer to the derating curve)	
	Working Humidity	20~95%RH, non-condensing	
	Ingress Protection	IP66 waterproof	
	Storage Temp / Humidity	-40~+80°C, 10~95%RH	
	TEMP. coefficient	±0.03%/°C(0-50°C)	
	Vibration	10~500Hz, 5G 10 min./1 cycle, period for 60min. each along X, Y, Z axes	

200W DALI Dimmable LED Driver

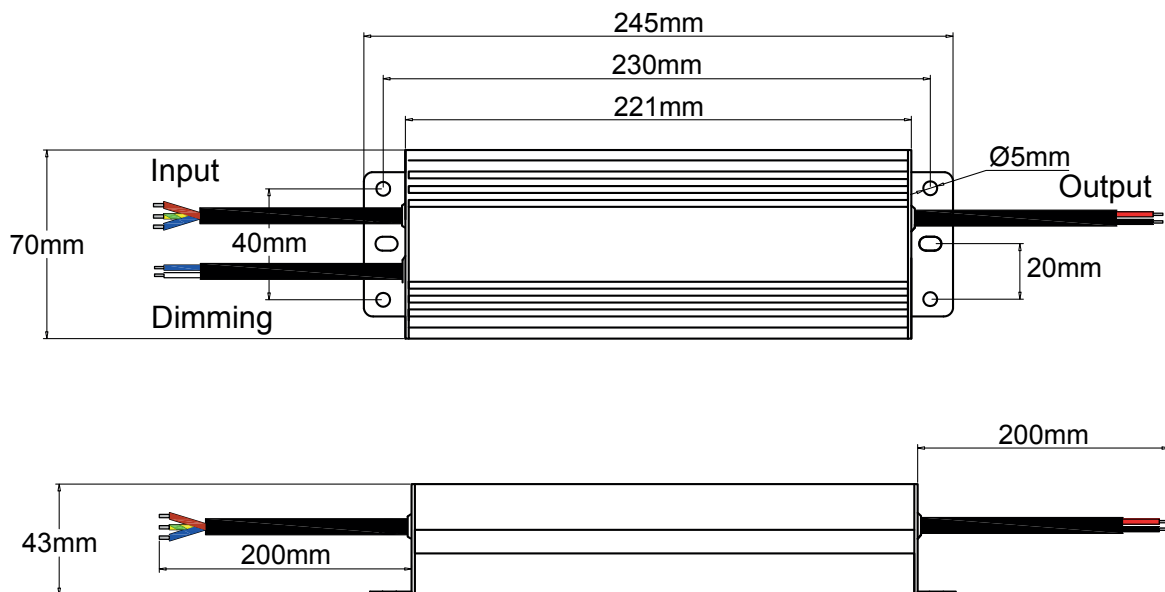
INTALED

Constant Voltage IP66 24VDC

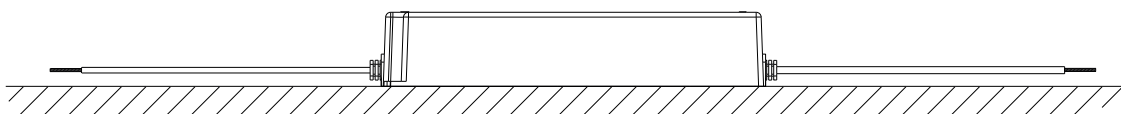
Safety & EMC	Safety Standards (LVD)	EN61347-2-13:2014/A1:2017, EN61347-1:2015, EN 62493:2015
	Withstand Voltage	I/P-O/P:3.75KVAC
	Isolation Resistance	I/P-O/ P:100MΩ / 500VDC / 25°C / 70%RH
	EMC Emission and Immunity	EN 55015:2013/A1:2015, EN 61547:2009, EN 61000-3-2:2014, EN 61000-3-3:2013
DALI	Dimming Type	PWM dimming, PWM frequency ~ 240Hz
	DALI consumption	~0.2mA
Mechanical	Size	245x70x43mm (L×W×H)
	Weight	1.2Kg

To calculate the maximum number of drivers per mcb the following calculation can be applied:
 Number for drivers= I_{peak} (breaker)/ I_{surge} (driver).
 Consult breaker manufacturer for guidance on circuit breakers for direct current applications.

Dimensions



Recommended Mounting Position

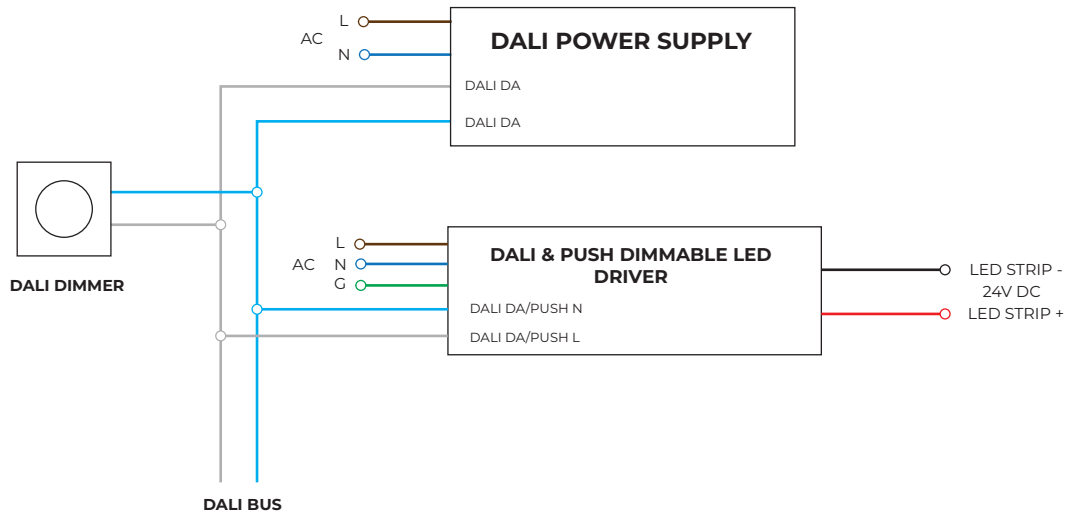


200W DALI Dimmable LED Driver

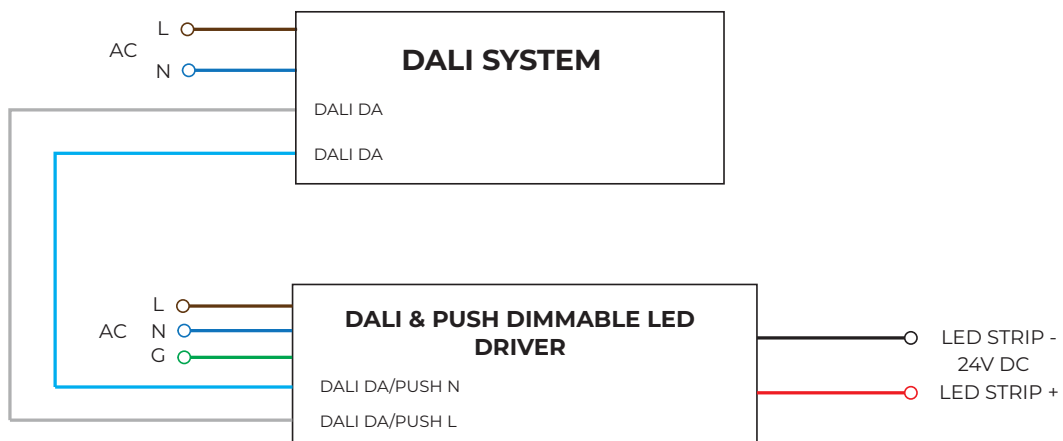
Constant Voltage IP66 24VDC

INTALED

DALI dimmer wiring diagram



DALI system wiring diagram

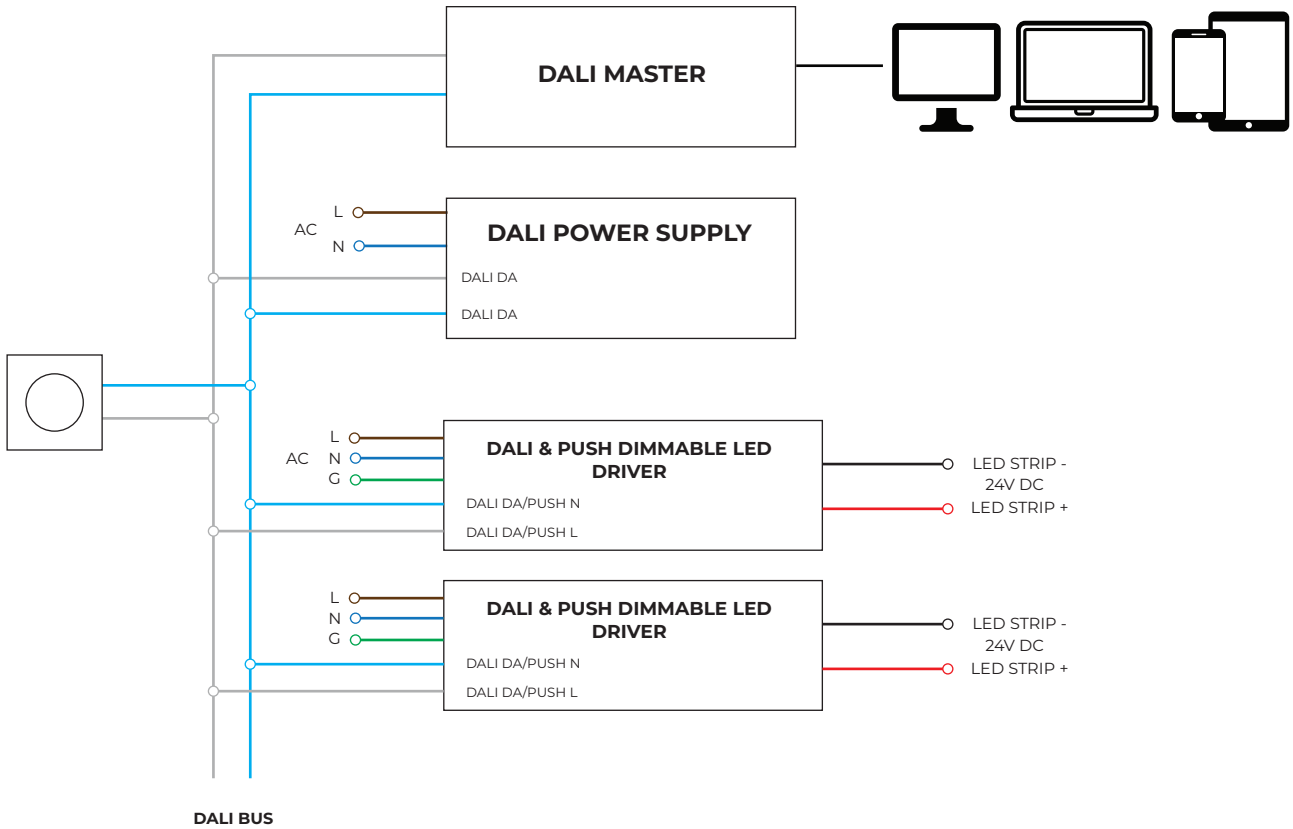


200W DALI Dimmable LED Driver

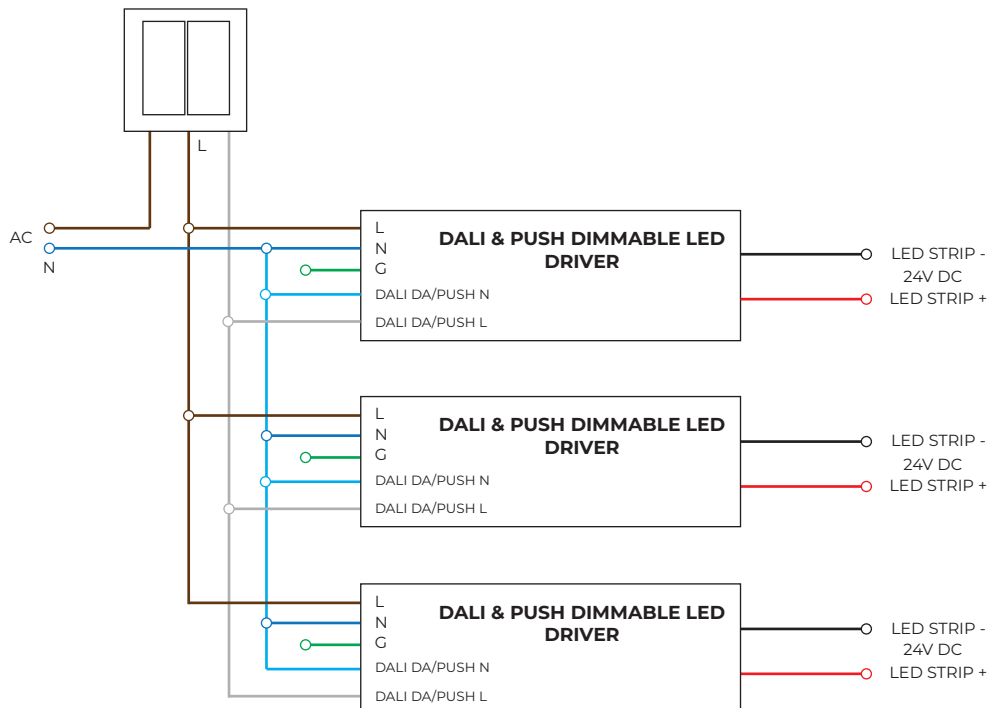
Constant Voltage IP66 24VDC

INTALED

PC + DALI MASTER + DIMMER wiring diagram



PUSH dimming wiring diagram with ON/OFF function

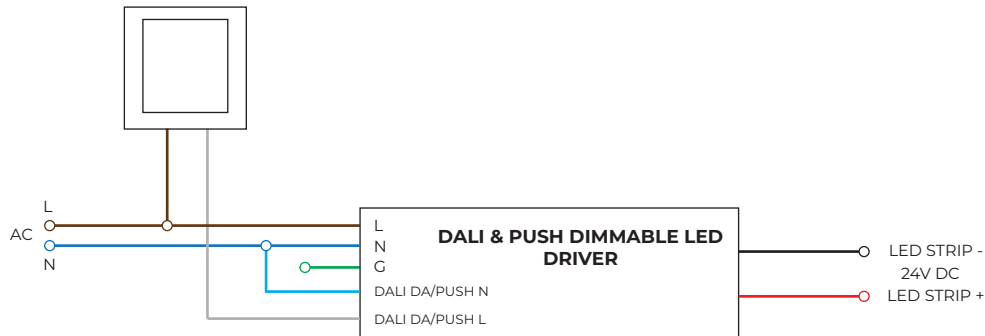


200W DALI Dimmable LED Driver

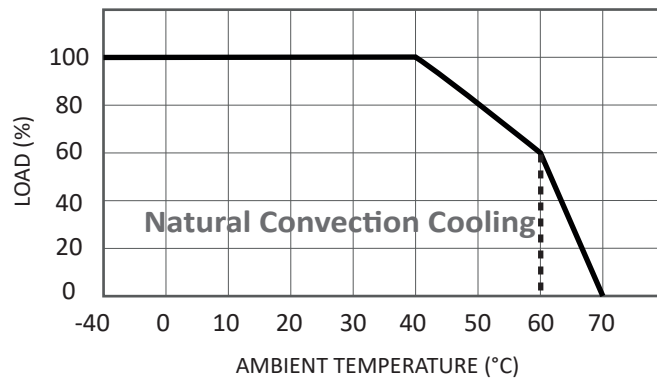
Constant Voltage IP66 24VDC

INTALED

PUSH dimming wiring diagram



Derating Curve



Guarantee:

All LED and electrical components carry a 5 year electrical guarantee, All lamps have their own average life span. We recommend all products are installed by NICEIC / registered electrical contractors, failure to do so will result in any guarantee becoming void.

Full Terms & Conditions:

For our full terms and conditions please visit our website - www.intalite.co.uk/terms-conditions

INTALITE UK
148 - 154 Merton High Street;
London, SW19 1AZ, UK
Tel: +44 (0)20 8542 1471
Fax: 0870 4211 763
www.intalite.co.uk
sales@intalite.co.uk