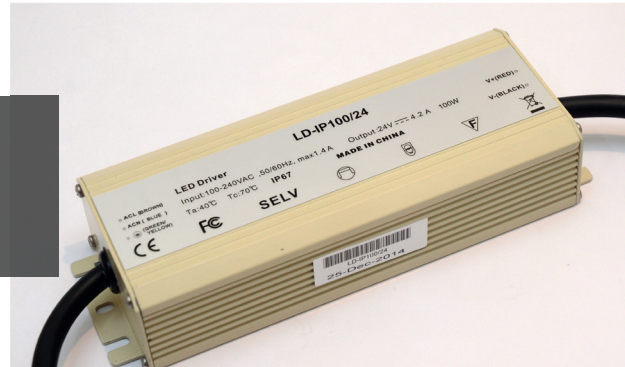


100W Standard LED Driver

Constant Voltage IP67 24VDC

LD-IP100/24



Technical Specification

Order Code		LD-IP100/24
Output	Rated Power	100W
	Rated Current	4.2A
	Output Voltage	24V DC
	Voltage Tolerance	±0.5V
Input	Voltage Range	90~264VAC
	Frequency Range	47~63Hz
	Efficiency (Typ)	87%
	Power Factor (Typ)	≥ 0.90
	AC Current (Typ)	1.40A
	Inrush Current (Max)	75A Max(50% I _{peak} T _{width} =485μs) 230VAC
	Protection	Overload
Short circuit		Recovers automatically after condition is removed
Environment	Working Temp	-25~+50°C
	Working Humidity	20~90%RH, non-condensing
	Ingress Protection	IP67 waterproof
	Storage Temp / Humidity	-40~+80°C, 10~95%RH
Safety & EMC	Safety Standards	EN 61347-1:2008+A1+A2 EN 61347-2-13:2014, EN 62493:2010, AfPS GS 2014:01 Par. 3.1
	Withstand Voltage	I/P-O/P:3.00KVAC
	Isolation Resistance	I/P-O/ P:50MΩ / 500VDC / 25°C / 70%RH
	EMC Emission	EN55015:2006+A1:2007+A2:2009, EN61000-3-2:2006+A1:2009+A2:2009, EN 61000-3-3:2008
	EMC Immunity	EN61457:1995+A1:2009

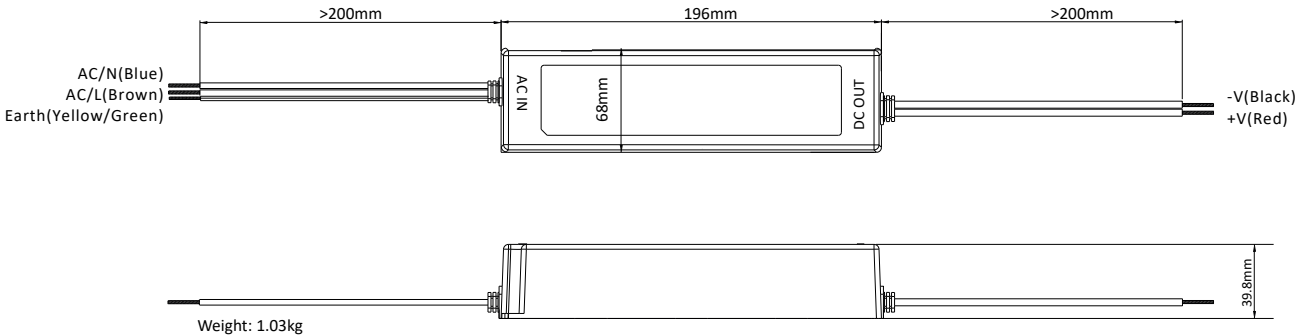
To calculate the maximum number of drivers per mcb the following calculation can be applied:
 Number for drivers= I_{peak} (breaker)/ I_{surge} (driver).

Consult breaker manufacturer for guidance on circuit breakers for direct current applications.

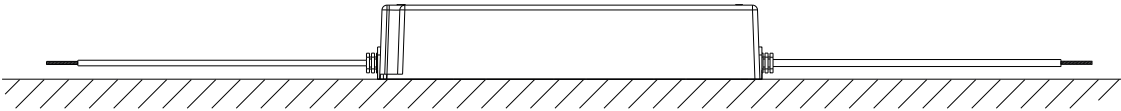
100W Standard LED Driver

Constant Voltage IP67 24VDC

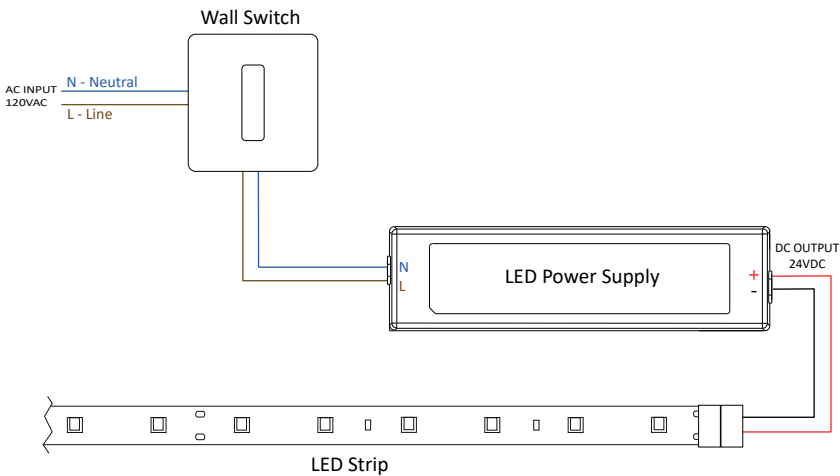
Dimensions



Recommended Mounting Position



Mains Wiring Diagram

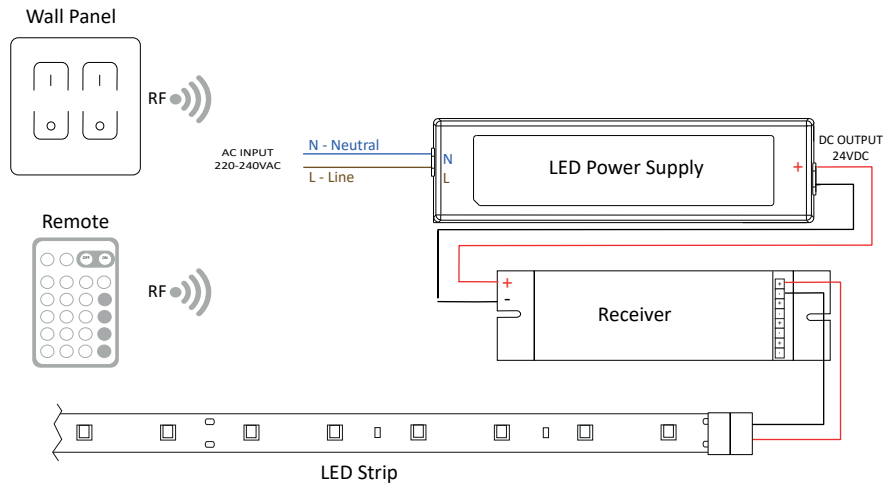


* Consult switch manufacturer wiring diagram for connections on the switch

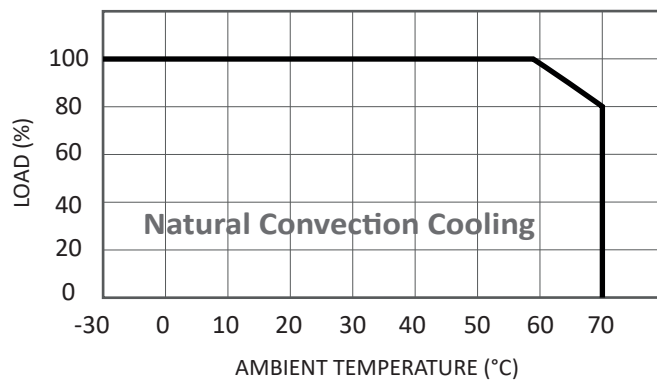
100W Standard LED Driver

Constant Voltage IP67 24VDC

Intalite Controllers Wiring Diagram



Derating Curve



Guarantee:

All LED and electrical components carry a 5 year electrical guarantee, All lamps have their own average life span. We recommend all products are installed by NICEIC / registered electrical contractors, failure to do so will result in any guarantee becoming void.

Full Terms & Conditions:

For our full terms and conditions please visit our website - www.intalite.co.uk/terms-conditions

INTALITE UK
 148 - 154 Merton High Street;
 London, SW19 1AZ, UK
 Tel: +44 (0)20 8542 1471
 Fax: 0870 4211 763
www.intalite.co.uk
sales@intalite.co.uk