

Elipta E6321S Pole Spot Solo - Natural Copper - 12v - IP65

Description

Elipta E6321 12v natural copper Pole Spot Solo is a single pole-mounted spotlight ideal for uplighting small trees and taller shrubs from amongst medium-height planting, spotlighting features at ground level or washing light across a lawn, path or gravel area. It is fully adjustable, weatherproof to IP65 and fitted with a 1m rubber cable.

It accepts a 3w or 5w led lamp. There is space inside the spotlight body to fit an E4010 honeycomb glare louvre or a clip-on MR16 frosted lens or colour filter accessory onto the front of the lamp. It's flush, tempered glass lens sheds water and leaf litter and is easy to clean. 30cm extension stems are available to increase the total height to 70cm or 1m, for which the E6002 High-stability Ground Spike is recommended (purchase Separately). *Natural copper will weather over time and develop a thin surface layer "patina" with its eventual colour dependent on proximity to the ocean.*

Pole Spot Solo is supplied with the standard E6001 polycarbonate spike.

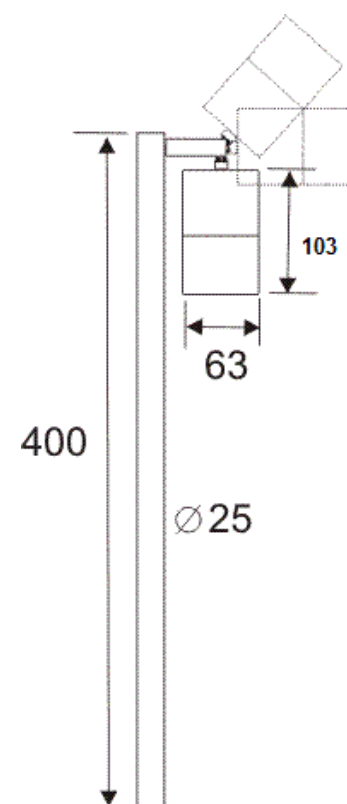
Colour/ Finish	Solid natural copper (not lacquered)
Exterior Dimensions	Lamp housing 103mm x 63mm Height 400mm.

IP65	12v Pre-wired 1.5m	Retrofit LED
Beam 15°-120°	12v MR16	



Installation guidelines

1.5 metre of cable fitted. Order T9962 cable joint kit for connection to low voltage cable from a garden lighting transformer. Wire spike spotlights to transformer with 2.5mm² ground burial 2 core low voltage cable available in 50m (T9912) or 25m (T9913) packs: use T9910 4mm² cable for longer runs.



**5 YEAR
WARRANTY**

Natural copper body

Exclusions: Damage by machinery, animals or the use of incorrect cleaning materials. Corrosion due to exposure to salt or chlorine. Natural copper will discolour (verdigris) over time. Damage due to incorrect installation practices. Responsibility for 3rd party cost; indirect or consequential loss.

**2 YEAR
WARRANTY**

**Internal wiring
& lampholder**

Exclusions: Damage due to incorrect lamp fitting or lamps above specification. Responsibility for 3rd party cost; indirect or consequential loss