

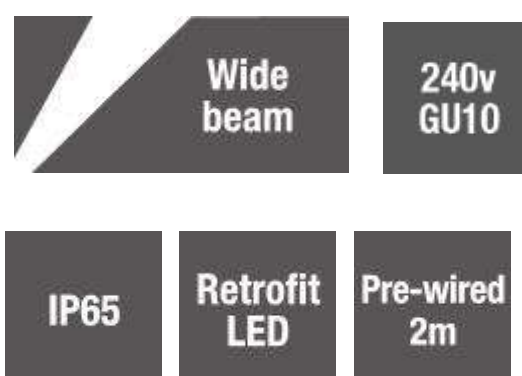
E8012- Smoothie Recessed Light - Stainless Steel - 240v

Description

E8012 is a stylish 240v recessed light for illuminating steps or patios which can take a choice of low energy led lamps. Order lamps separately. Smoothie is fitted with a flush frosted lens as standard to diffuse the lighting. The light is located by an "O" ring on the body into a sleeve tube so that no external screw fixings are visible. Remember that recessed steplights are in effect recessed spotlights - avoid using them facing viewpoints.



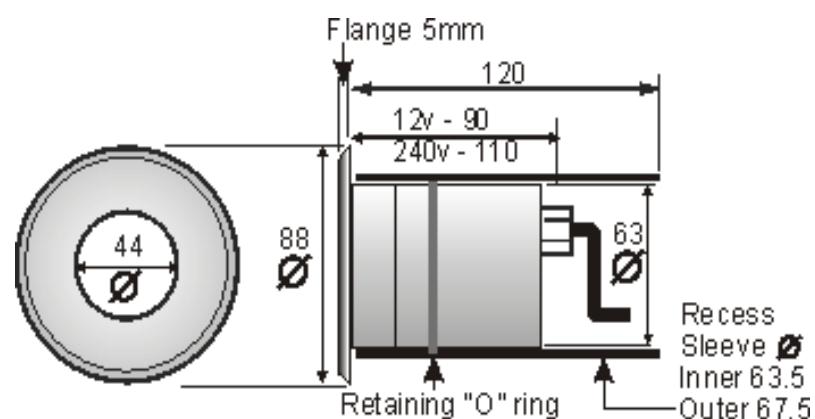
Electrical data	240v GU10.
Colour/ Finish	316 grade Stainless Steel top and aluminium body.
Exterior Dimensions	88mm circumference with a 44mm eye. Body 110mm x 63 and sleeve 120mm x 67.5mm



Installation guidelines

The plastic sleeve is built into the wall during construction or retrofitted into a hole cut with a coring bit: the light pushes into the tube, where it is held firmly in place by an "O" ring, leaving a front plate with no visible fixing screws. Suitable drainage should be provided below each fitting to prevent water logging. Smoothies should not be installed in ground subject to water logging, an IP 68 light such as a lumilux or lumimax should be considered. Connect input cable to cable from transformer using T9962 cable joint or T9963 cable splice kit.

Using a single RCD for large numbers of 240v fittings is not recommended due to the risk of nuisance tripping. We advise the use of separate RCD protection for each circuit and a maximum of 12 fittings per RCD. Where a garden lighting installation of more than 12 spike mount or recessed lights per circuit is proposed, we suggest the installation of 12v units with transformers, which results in a significantly higher fault tolerance and reliability in the total installation.



2 YEAR
WARRANTY

Internal wiring
& lampholder

Exclusions: Damage due to incorrect lamp fitting or lamps above specification. Responsibility for 3rd party cost; indirect or consequential loss