

E94035SM Apollo 35 Spot - 36 Degrees

E94035SM is a surface-mount spotlight with a 36° beam angle primarily designed for energy-saving up lighting of trees. The central 36° beam is ideal for up lighting from beneath. The Apollo features an adjustable stirrup bracket for mounting on walls and optional louvre, glare shield, ground spike and surface mount are available

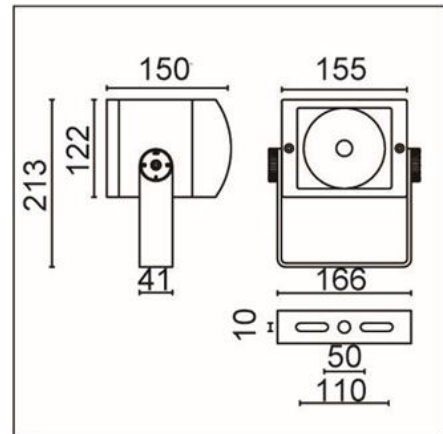


PHYSICAL DATA

IP Rating	65
Colour/ Finish	Dark Grey powder coated aluminium
Lens	Borosilicate Glass lens behind square bezel with through flow slots for shedding water
Beam Angle	36°

ELECTRICAL DATA

Voltage	240v
Wattage	35w (only)
Lamp Type	Ceramic type G8.5 single-ended 35-watt metal halide lamp.
Lamp Holder	G8.5
Cable Type	HO5RNF
Cable Length	2m



COMPLIANCE & WARRANTY

- 2 Year warranty
- CE / RoHS Compliant

INSTALLATION

20mm IP68 gland provided for connection to mains supply. HO7-RNF 3 core rubber cable recommended for connection to armoured supply cable via a separate weatherproof junction box or underground joint kit (not supplied). **Using a single RCD for large numbers of 240v fittings is not recommended due to the risk of nuisance tripping. We advise the use of separate RCD protection for each circuit and a maximum of 12 fittings per RCD**