

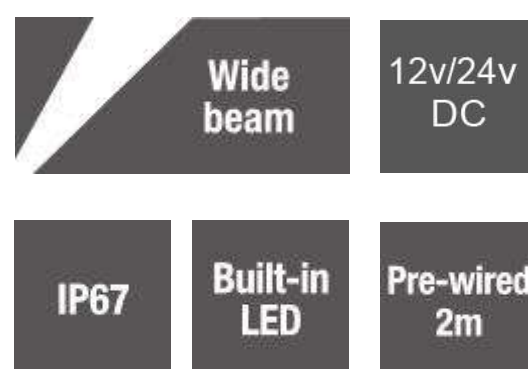
# EP8390- Micro Waymarker LED Recessed Light 90° - 12/24v DC-3w-100lm-2700K-IP67- 316 Stainless Steel

## Description

The Micro Waymarker 90 is compatible with both 12v and 24v DC power supplies. 90° light output from 1 window allows you to softly light the path or driveway. The Micro Waymarker has a glass lens that is raised to the top of the dome, preventing debris from settling and blocking the light output. The light is located by an "O" ring on the body into a sleeve tube so that no external screw fixings are visible. It may also be used as a deck light.

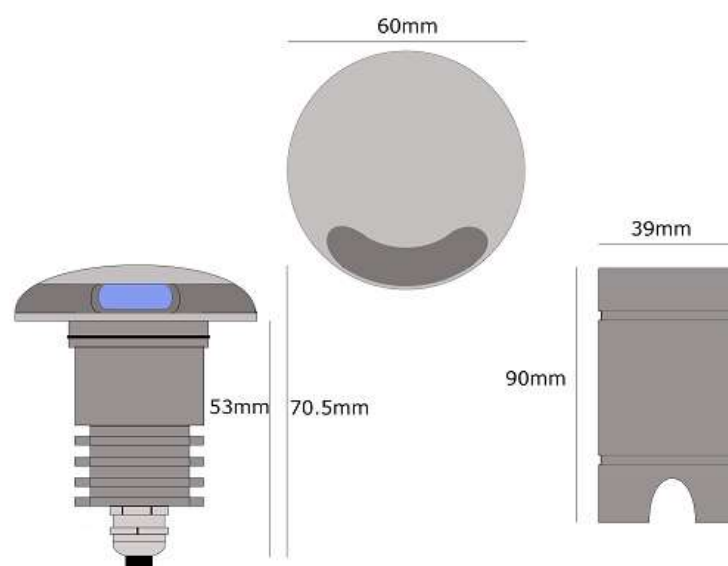


<b>Electrical data</b>	12/24v DC 100lm 2700K 3w
<b>Construction</b>	316 Grade Stainless Steel. 750Kg load bearing capacity.
<b>Exterior Dimensions</b>	Top 60mm Diameter. Body (including top) 70.5mm tall. sleeve 39mm x 90mm



## Installation guidelines

The plastic sleeve is built into the wall or ground during construction: the light pushes into the tube, where it is held firmly in place by an "O" ring, leaving a front plate with no visible fixing screws. Suitable drainage should be provided below each fitting to prevent water logging. Waymarkers should not be installed in ground subject to water logging.



**3 YEAR  
WARRANTY**

Exclusions: Damage by machinery, animals or the use of incorrect cleaning materials. Damage due to incorrect installation practices. Responsibility for 3rd party cost; indirect or consequential loss.