

GLRGB8WS - Brilliance RGB - 8w LED Underwater Spotlight with Clear Lens

Description

Brilliance RGB is an adjustable led underwater spotlight with a nickel-plated brass body and three RGB led's providing light output equivalent to a 50w halogen lamp with colour filter. It has a clear lens and provides a focused 30 degree beam for uplighting trees and focal points, or for use as an underwater spotlight in fountains and waterfalls.

The ribbed body is designed to accept an optional clip-on glare shield and the adjustable polycarbonate knuckle joint fits a range of mounting options including a spike, weighted base, extension pole and a tube bracket to allow mounting on fountain head pipes: mount required must be ordered separately.

It can provide automatic colour-changing lighting or a single colour light output: if the supply circuit is switched off instead of using the remote control button 2 to switch off, the same colour mode selection will automatically be selected when the supply circuit is switched on the next time.

In this way the remote control can be used to set up a colour mode which is intended to be used repeatedly without having to select colour mode by using the remote control in line-of-sight to the RGB lights every time they are used.

(Colour change synchronization of several lights over an extended period of illumination is not possible with Plug&Play RGB lights)

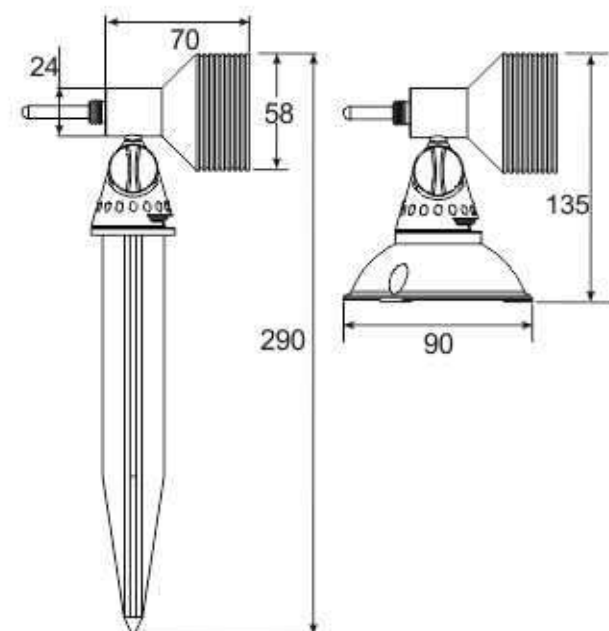
Electrical	12v 8w Plug&Play. 30° beam angle. RGB.
Colour/ Finish	Nickel plated Brass body.
Exterior Dimensions	Lens 58mm diameter x 70mm body.



Installation guidelines

5m input cable with male IP44 2-pin input connector to plug into a Plug&Play transformer, extension cable, connector or junction box: an IP68 connection may be achieved by using either the GLWJB IP68 junction box or GLWCC waterproof cable connector. Adjustable polycarbonate knuckle joint fits a range of mounting options including a spike, weighted base, extension pole and a tube bracket to allow mounting on fountain head pipes.

12v 8w	Beam 30°		
Pre-wired 5m	Built-in LED	IP68	Plug &Play



**2 YEAR
WARRANTY**

**Powder coated aluminium
body & fitting**

Exclusions: Damage by machinery, animals or the use of incorrect cleaning materials.
Corrosion due to exposure to salt or chlorine.
Damage due to incorrect installation practices.
Responsibility for 3rd party cost: indirect or consequential loss