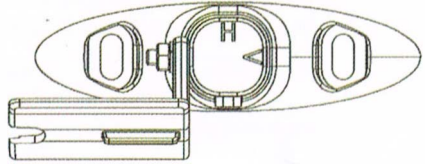


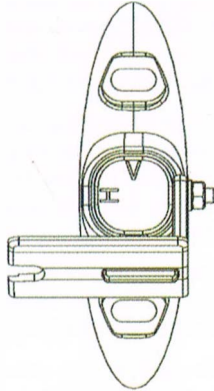
# Multi brackets

## fixing orientation Instruction

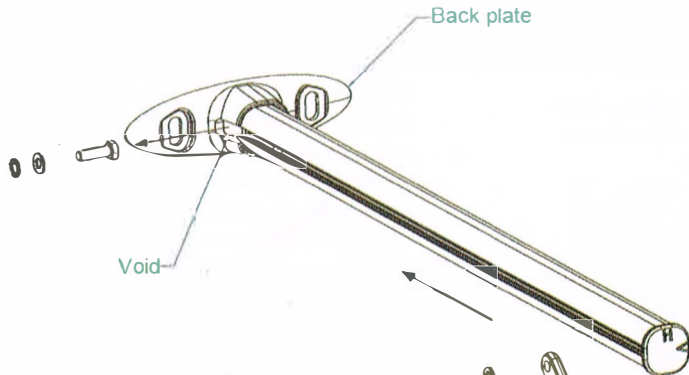
H = Horizontal Fix  
Install with H on top



V = Vertical Fix  
Install with V on top

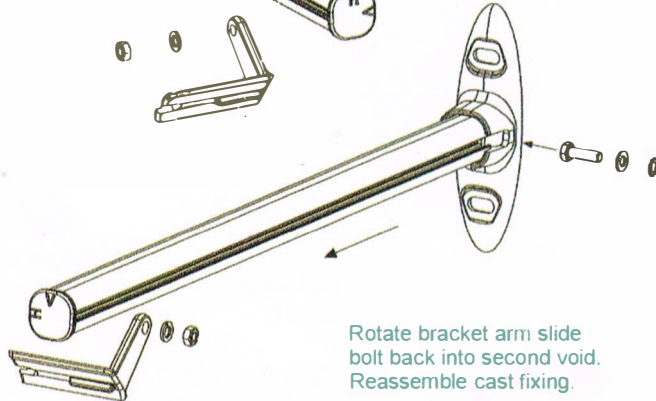


Back plate



Void

Remove cast fixing  
and slide bolt towards  
void in back plate.



Rotate bracket arm slide  
bolt back into second void.  
Reassemble cast fixing.

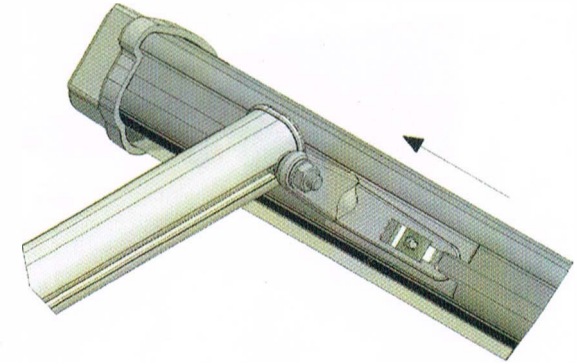
## LED Mini installation...easy as 1,2,3! Secure brackets to wall then...

Exterior Lights UK Ltd  
P.O. Box 794  
Orpington  
Kent.  
BR6 1FB.  
Tel: 01689 606342  
www.exteriorlightsuk.co.uk

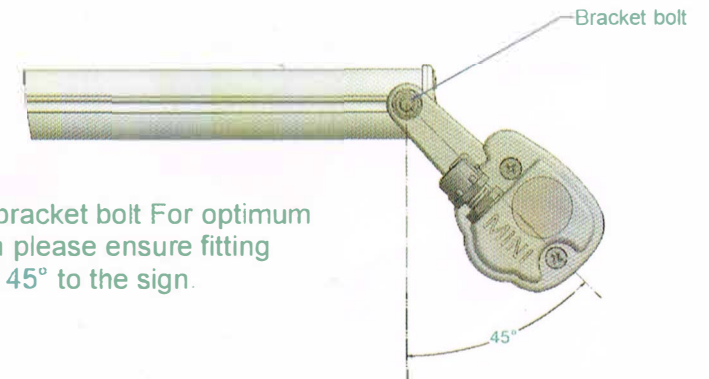
1) Hang LED Mini over  
Multi bracket leaving hands  
free.



2) Slide spring clip fixing  
over nipple on casting  
to secure



Bracket bolt



3) Secure bracket bolt For optimum  
illumination please ensure fitting  
installed at 45° to the sign.

45°