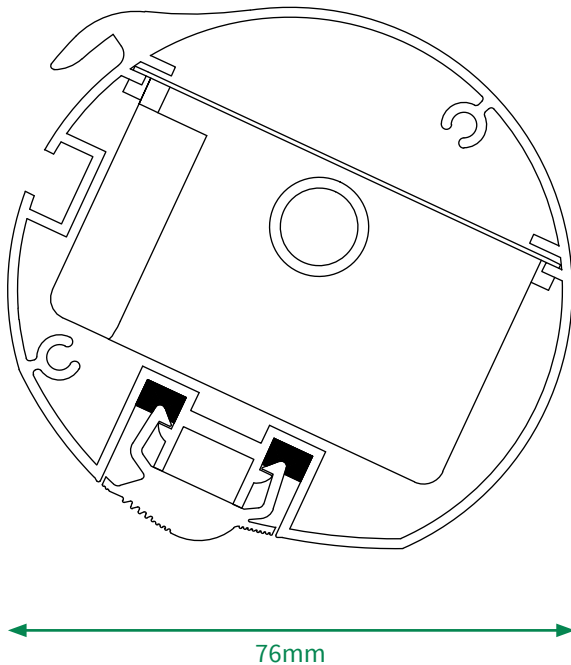


# LED SUPERLENS SIGN LIGHT

LIGHTING



## options

- Cold or Warm White LED colour.
- RGB RF remote control colour change available on request.
- Non-standard brackets available upon request.
- Standard and non-standard colours.
- Photo electrical cell switches.

## brackets

- 3 pre-set positions enable installer optimum beam angle for sign depth.
- Setting 1 300mm projection 0-2 metre depth.
- Setting 2 500mm projection 2-3 metre depth.
- Setting 3 1000mm projection 3-5 metre depth.

**Price will include:** Polyester powder coated black or white and 300mm universal brackets.

## technical specification

### LED strip

- Over 1200 Lumens per metre LED output.
- Only 14.4 watts per metre power consumption
- 75% energy saving compared to Fluorescent.
- 24 volt input, less current less voltage drop.
- 6000k cool white or 3000k warm white 120 degree angle.
- IP65 protected, 50,000 hours+ lamp life.
- 5 year Warranty.
- Full CE certification and ROHS compliant.

### Drivers

- Epoxy encapsulated fully isolated case with IP67 protection.
- Constant voltage design.
- Short circuit, over current, over voltage protection.
- Fitted onto Kwik release slide in Gear Trays.
- Full CE certification and ROHS compliant.

### Light Fitting

- Specialist designed asymmetric optical lens offers even illumination up to 5 metres deep with minimal backspill.
- Specially designed 76mm diameter aluminium extrusion supplied up to 6000mm lengths which can be joined together using cast aluminium connectors.
- Die cast aluminium end caps.
- Standard 300mm Kwik Fit brackets.
- Casing sealed and certificated to IP64.
- Full CE certificate and 5 year parts warranty.
- Conforms to EN60598-2-1:1989, and BS EN 60598-1:2008 "UK Deviations Only", BS EN62471 and high ambient temperature test 40°C.

(The manufacturer's reserve the right to alter specifications without prior notification).